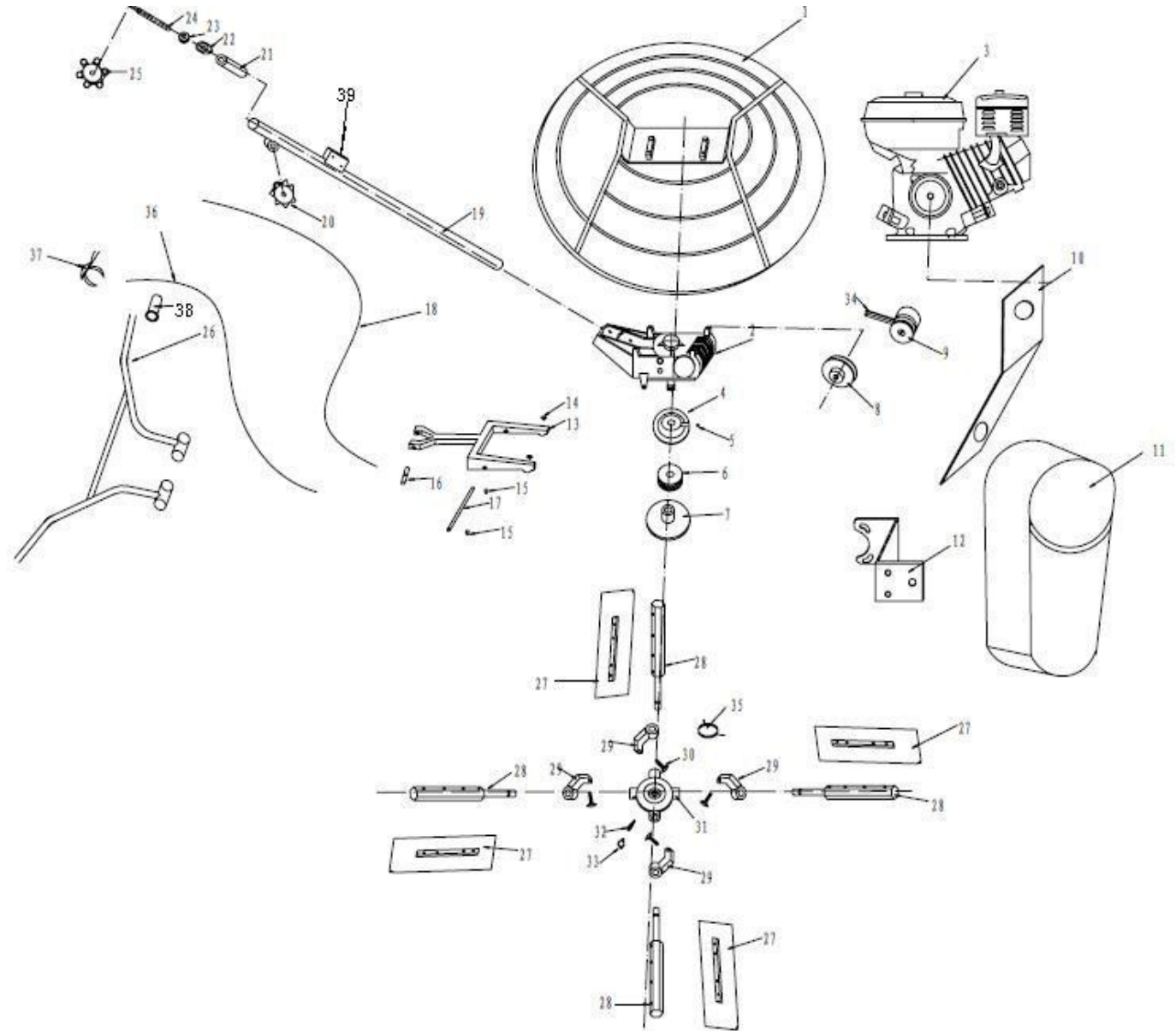


BISONTE EP900 SPARE PARTS LIST

PAG.1/2

Major components		
PART NO.	DESCRIPTION	Price Euro without VAT
BZEP900-001	Guard cover	
BZEP900-002	Reduction box	
BZEP900-004	Plate	
BZEP900-005	Nozzle	
BZEP900-006	Plane bearing	
BZEP900-007	Presser plate	
BZEP900-008	Pulley	
BZEP900-009	Clutch	
BZEP900-010	Lifting plate	
BZEP900-011	Belt cover	
BZEP900-012	Shoe plate	
BZEP900-013	Knock pin	
BZEP900-015	Clamp spring	
BZEP900-016	Pin rod	
BZEP900-017	Short pin rod	
BZEP900-018	Adjusting cable	
BZEP900-019	Handle pipe	
BZEP900-020	Handle wheel A	
BZEP900-021	Screw stem nut	
BZEP900-022	Fixed seat	
BZEP900-023	Plane bearing51104	
BZEP900-024	Screw	
BZEP900-025	Handle wheel B	



BISONTE EP900 SPARE PARTS LIST

PAG.2/2

Major components		
PART NO.	DESCRIPTION	Price Euro without VAT
BZEP900-026	Handle	
BZEP900-027	Blade 350*150*1.7mm	
BZEP900-028	Blade fixer	
BZEP900-029	Adjusting device	
BZEP900-030	screw	
BZEP900-031	Cross	
BZEP900-032	Fix screw	
BZEP900-033	Nozzle	
BZEP900-034	V-belt	
BZEP900-035	Torsional spring	
BZEP900-036	Dragline	
BZEP900-037	Throttle lever	
BZEP900-038	Grip	
BZEP900-039	Switch	
BZEP900-040	Cable roller (Nylon)	
BZEP900-041	Pan (Iron)	

