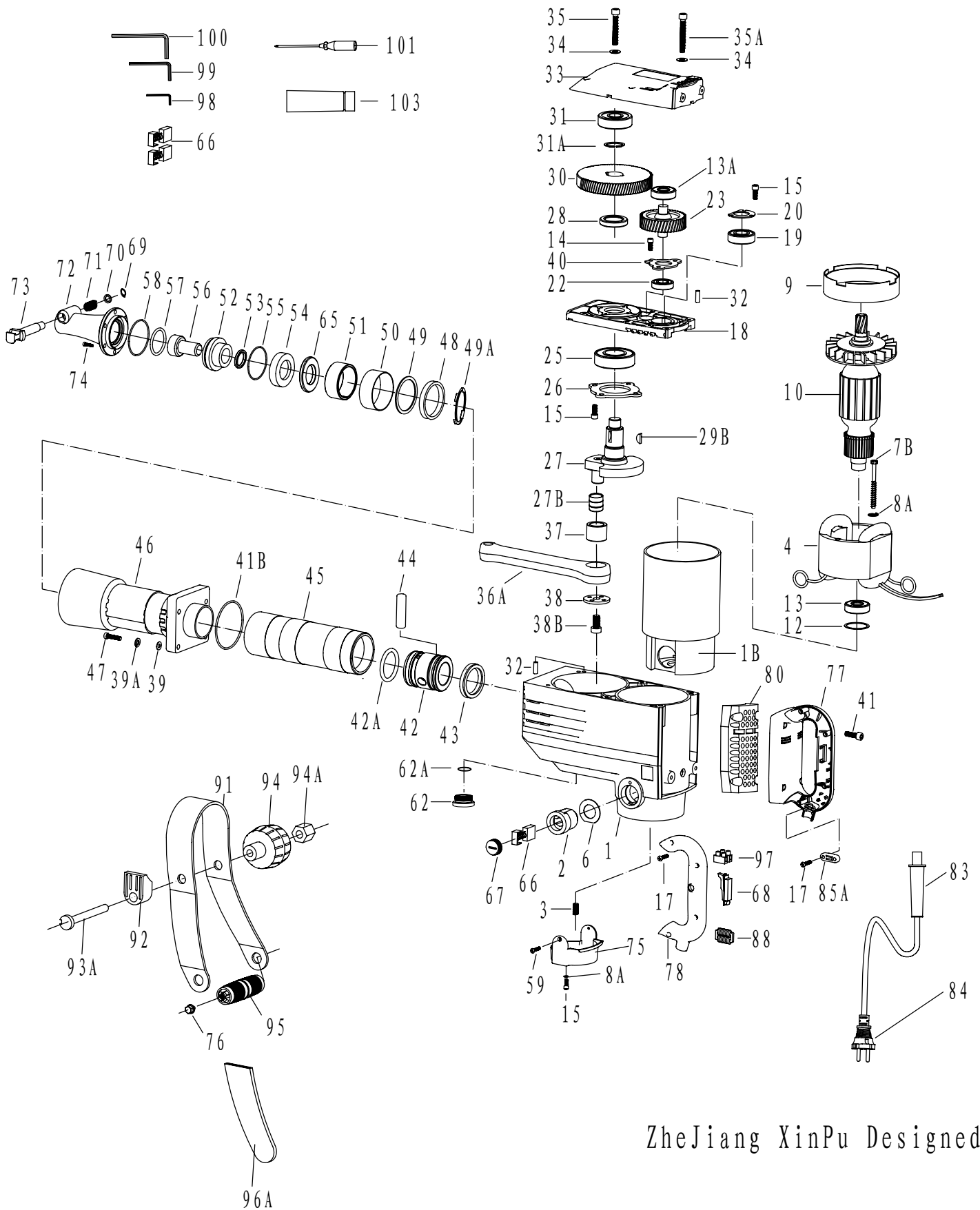


XP-G65BC Hammer Part Chart



ZheJiang XinPu Designed

XP-G65BC Hammer Parts List

XP-No	Item No.	Part Describe	Quantity	XP-No	Item No.	Part Describe	Quantity
88290016	1	Housing Ass'y	1	88271010	44	Piston Pin	1
88261061	1B	Stator Ass'y	1	88271008	45	Cylinder	1
88241001	2	Brush Holder	2	88290019	46	Aluminum Head	1
88210046	3	Seal Lock Screw M5x8	2	88210021	47	Hex. Socket Bolt M8x40(12.9)	4
88280012	4	Stator 220V-240V	1	88261006	48	Big Urethane Ring	1
88280032	4	Stator 110V-120V	1	88221012	49	Mouth Washer	1
88280057	4	Stator 100V	1	88221035	49A	Protecting Support For Urethane Ring	1
88241010	6	Insulate Washer	2	88261008	50	Mouth Cover	1
88210044	7B	Tapping Screw ST4.8x70	2	88271009	51	Mouth	1
88210055	8A	Φ5 Flat Washer	4	88271014	52	Shank Sleeve	1
88261023	9	Fan Guide	1	88261047	53	L- Ring Φ37.2xΦ26.6x5	1
88280013	10	Armature 220V-240V	1	88261043	54	Small Urethane Ring	1
88280031	10	Armature 110V-120V	1	88261046	55	O Ring Φ62xΦ3	1
88280058	10	Armature 100V	1	88271015	56	Impact Hammer	1
88210063	12	Φ32 Urethane Washer	1	88261045	57	Fluorin O RingΦ46.5xΦ5	1
88231003	13	Ball Bearing 6201 2RS C3	1	88261044	58	O Ring Φ74xΦ2	1
88231002	13A	Ball Bearing 6201 2RZ C2	1	88210028	59	Embedding Screws M4X10	2
88210029	14	Embedding Screws M5x10	3	88261063	62	Oil Tank Cover	1
88210002	15	Hex. Socket Bolt M5x12	9	88261054	62A	O Ring Φ20xΦ2	1
88210038	17	Tapping Screw ST4.2x18	6	88271016	65	Locking Ring	1
88290017	18	Inner Cover	1	88241021	66	Carbon Brush	2
88231004	19	Ball Bearing 6203 2RS C3	1	88241002	67	Brush Cap	2
88221003	20	6203 2RS C3 Bearing Cover	1	88241023	68	Switch	1
88231001	22	Ball Bearing 6001 2RS C2	1	88210065	69	Steel Wire Block Ring Φ8.5	1
88271002X	23	Counter Gear	1	88221026	70	Locking Lever Cover	1
88231017	25	Ball Bearing 6205 2RS C0	1	88221027	71	Lever Spring	1
88221004	26	6205 2Z C2 Bearing Cover	1	88271012-1	72	Front Cover	1
88271004	27	Crank Shaft	1	88271013-1	73	Locking Lever	1
88221036	27B	Crank Shaft Ring	1	88210016	74	Hex. Socket Bolt M8x30(12.9)	6
88221001	28	Distance Ring	1	88261037	75	Fan Cover	1
88221019	29B	Woodruff Key 4x16	2	88210048	76	Hex Head Screw M8x10	2
88271001	30	Final Gear	1	88261048	77	Main Handle	1
88233002	31	Ball Bearing 6302 2Z C2	1	88261049	78	Main Handle Cover	1
88210066	31A	Φ22 Retaining Ring	1	88261050	80	Vibration Reducing Cushion	1
88221017	32	Pin Φ5x14	2	88261051	83	Cord Armor	1
88290018	33	Gear Cover	1	88250000	84	Cord	1
88210057	34	Φ6xΦ10.5 Flat Washer	6	88261010	85A	Cord Clip	1
88210137	35	Hex. Socket Bolt M6x50(12.9)	4	88243008	88	Electricity Feels 0.18μH	1
88210138	35A	Hex. Socket Bolt M6x55(12.9)	2	88221025	91	Side Handle Ass'y	1
88271006	36A	Connecting Rod Ass'y	1	88261029	92	Plastic Clip	2
88234004	37	Needle Bearing NK 1820	1	88210047	93A	Long Screw M10x113	1
88221002	38	Crank Washer	1	88261030	94	Handle Knob	1
88210018	38B	Hex. Socket Bolt M8x1x35	1	88210071	94A	U-Nut M10x25	1
88210059	39	Φ8 Flat Washer	4	88261020	95	Grip	1
88210053	39A	Φ8 Spring Washer	4	88261021	96A	Side Handle Ass'y Cover	2
88221005	40	6001 2RZ C2 Bearing Cover	1	88210076	97	Rivet	2
88210019	41	Nonstandard Hex. Screw M8x33	4	88301002	98	4mm Hex. Wrench	1
88261066	41B	O Ring Φ53xΦ2.5	1	88301003	99	5mm Hex. Wrench	1
88290021	42	Piston	1	88301004	100	6mm Hex. Wrench	1
88261053	42A	Fluorin O Ring Φ35xΦ5.5	1	88301007	101	Dual Screw Driver	1
88261052	43	L- Ring Φ35x7	1	88304020	103	Oil Bottle	1