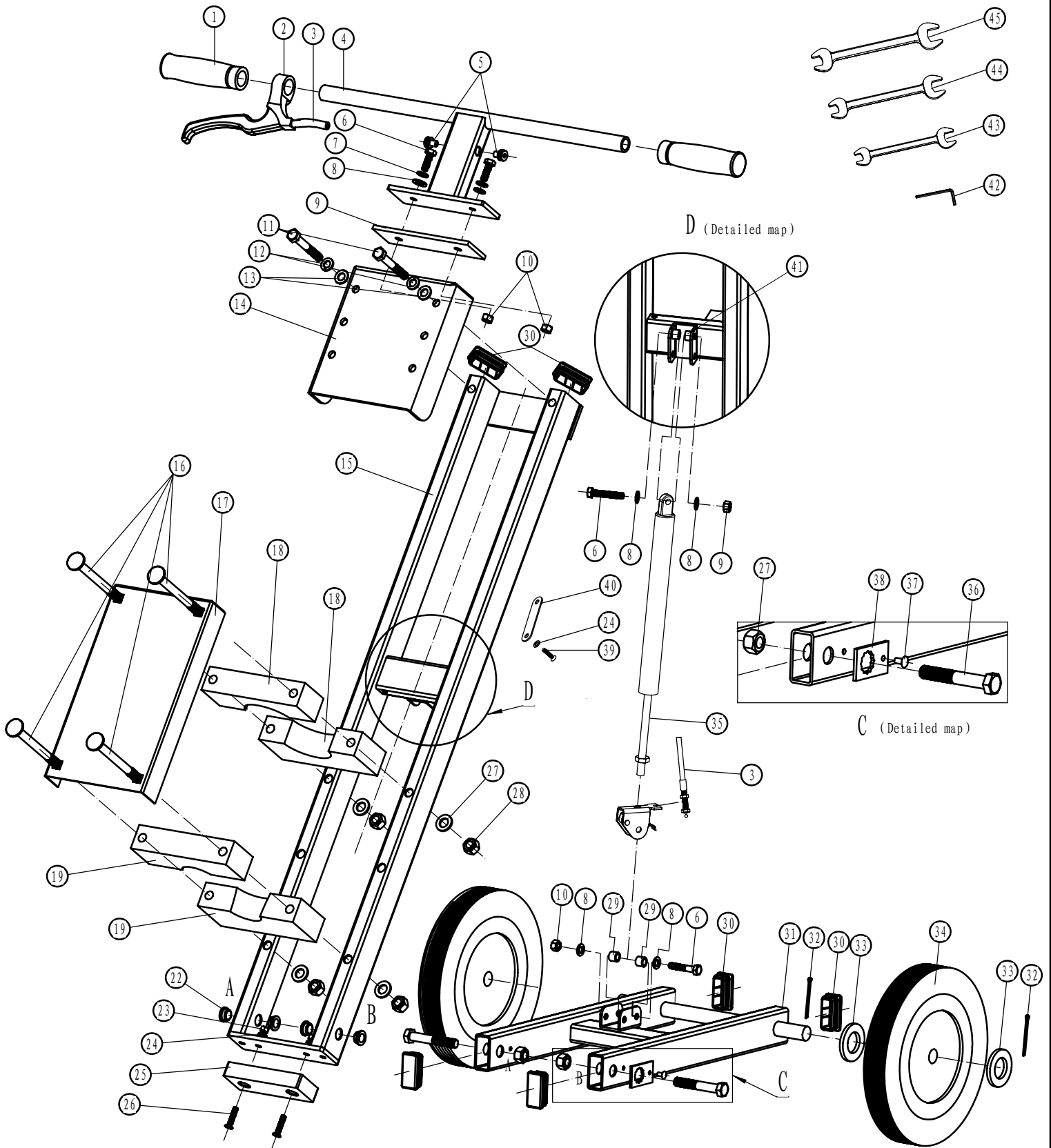


# XP-SHT005 Smart Hammer Trolley Part Chart



**XP-SHT005 Smart Hammer Trolley Parts List**

XP-No	Item No	Part Describe	Quantity
88042001	1	Handle glove	2
88042015	2	Regulating handle	1
88042016	3	Bracing wire	1
88042018	4	Handlebar	1
88262022	5	Down-lead jacket	2
88210147	6	Hexagon Head bolt-M8x45	4
88210156	7	Criterion spring washer8	2
88210152	8	Flat Washer 8	6
88042002	9	Vibration Reducing Cushion	1
88210158	10	Prevailing torque type hexagon thin nuts with nonmetallic insert M8	4
88210146	11	Hexagonal bolt M10x75	2
88210155	12	modular type spring washer10	2
88210151	13	Flat Washer 10	2
88042012	14	Handlebar Seat	1
88042019	15	Support beam	1
88210144	16	Non-standard round head bolts M12x200	4
88042013	17	Fixed Cover	1
88042003	18	Upper Clip block	2
88042005	19	Subjacent Clip block	2
88042007	22	M12 Distance Piece	4
88210159	23	Prevailing torque type hexagon thin nuts with nonmetallic insert M6	2
88210153	24	Flat Washer 6	4
88042008	25	packing block	1
88210148	26	Embedding Screws M6x30	2
88210150	27	Flat Washer 12	4
88210157	28	Prevailing torque type hexagon thin nuts with nonmetallic insert M12	6
88042009	29	M8 Screw ferruleA $\Phi 13 \times \Phi 8.2 \times 3$	2
88042010	30	Ornament cover	6
88042020	31	Underbed	1
88210160	32	Pin3x45	4
88210154	33	Small Flat Washer 20	4
88042017	34	Wheel	2
88042028	35	Gas rod discreteness	1
88210145	36	Hexagon head bolt M12x75	2
88210161	37	Rivet $\Phi 5 \times 35$	2
88042014	38	Bolt guide plate M12	2
88210028	39	Embedding Screws M4x10	2
882690108	40	Tension disc	2
88042011	41	M8 Screw ferrule B $\Phi 13 \times \Phi 8.2 \times 8$	2
88301003	42	5mm Hex Bar Wrench	1
88301012	43	10-13mm Special spanner	1
88301013	44	16-18mm Special spanner	1
88301014	45	18-19mm Special spanner	1