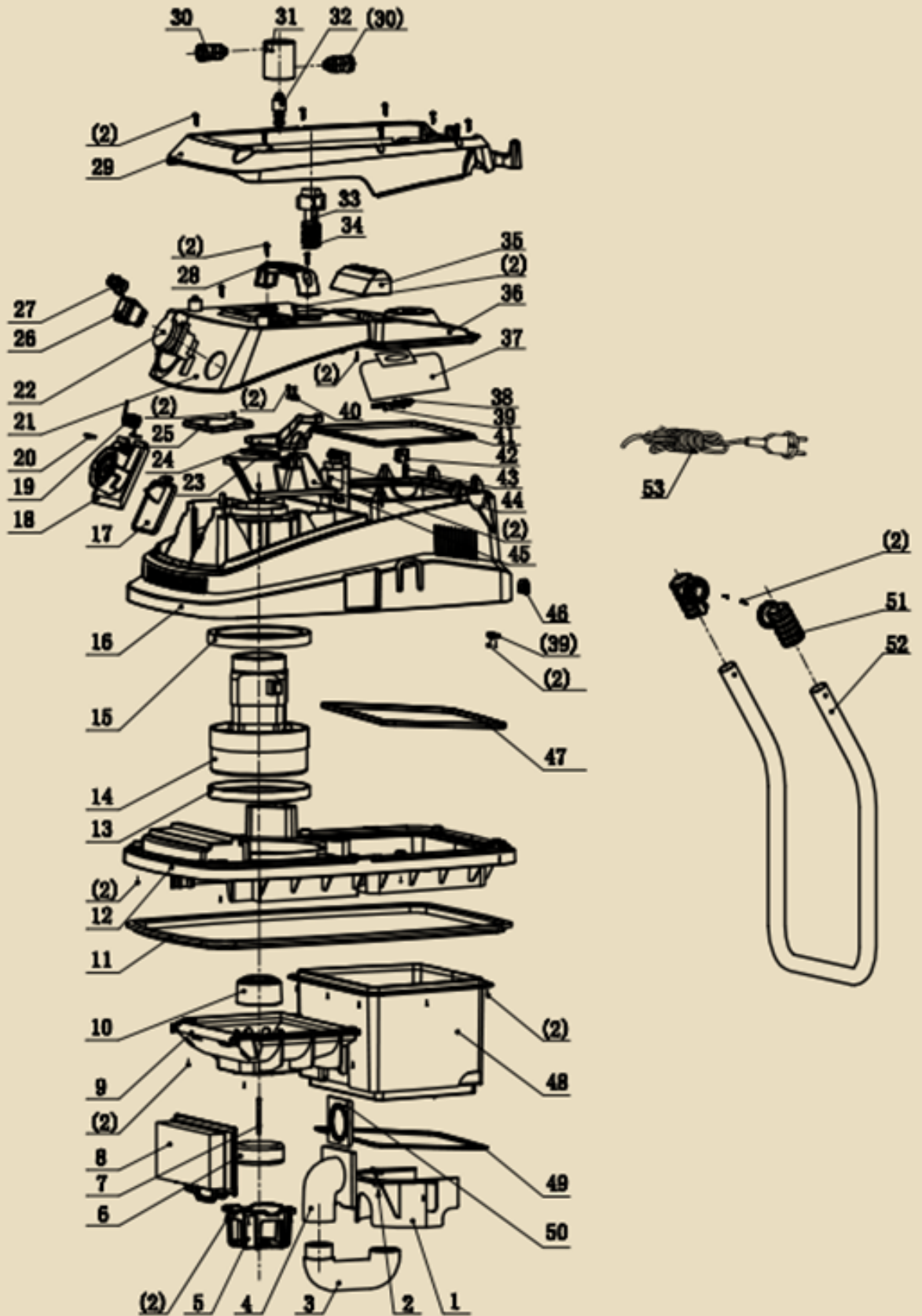
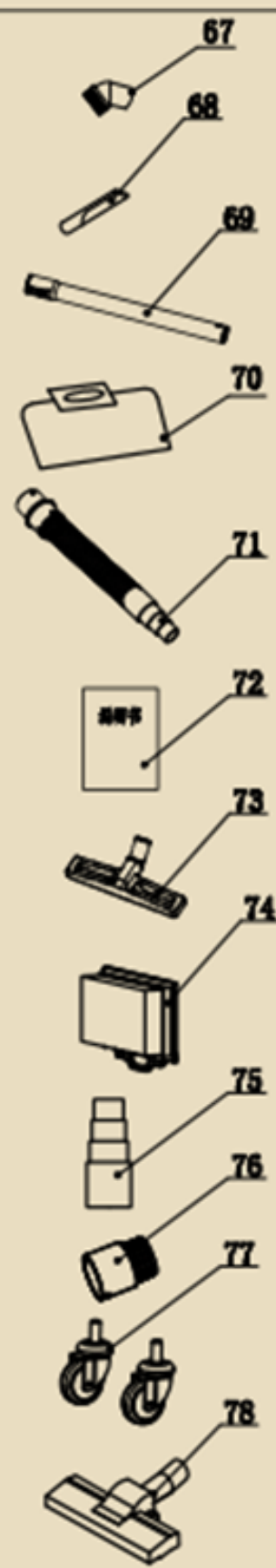
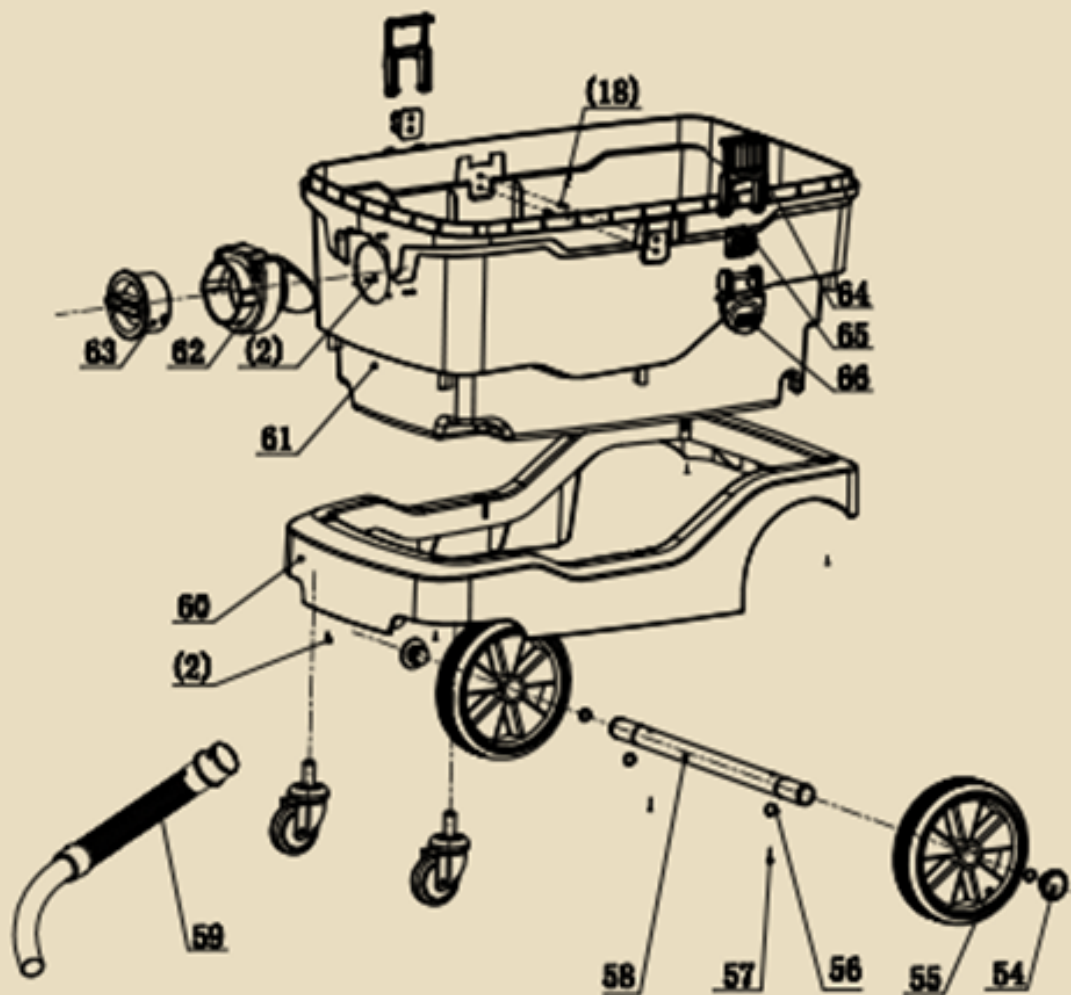


EXPLOZIE PIESE DE SCHIMB AS501



Item Number	Name and Specification	Qty
1	water fender	1
2	ST4*16 screw	1
3	Blow molding bent pipe	1
4	Connecting column	1
5	Floating ball holder	1
6	Floating ball	1
7	ST4*70 screw	1
8	Plate filter	1
9	Plate filter holder	1
10	Safety valve	1
11	Bottom cover sealing ring	1
12	Bottom cover	1
13	Motor bottom sealing ring	1
14	Motor A30-1	1
15	Motor upper sealing ring	1
16	Middle cover	1
17	Air outlet flapper	1
18	Air outlet base	1
19	Air outlet base spring	1
20	Air outlet base fixed axle	1
21	Front cover	1
22	Synchronizer	1
23	Reverse wind function board sealing ring	1
24	Reverse wind function board	1
25	Air duct cover	1
26	Switch(3P)	1
27	Speed controller	1
28	Handle	1
29	Top cover	1
30	Air tools joint EURO TYPE!	2
31	air valve seat	1
32	Liquid level switch	1
33	Reverse wind function button	1



34	Reverse wind function spring	1
35	Rear cover handle	1
36	Rear cover	1
37	no-woven dustbag in Inner barrel	1
38	Cardboard fixed axle	1
39	Cardboard spring	1
40	Pressing line plate	1
41	Rear cover sealing ring	1
42	Push rod fixing knob	1
43	Push rod fixing spring	1
44	Circuit board	1
45	Motor upper cover	1
46	Power cord stopper	1
47	Middle cover sealing ring	1
48	Inner barrel	1
49	Inner barrel sealing ring	1
50	Connecting column sealing ring	1
51	Push rod holder	1
52	Push rod	1
53	Power cord 3*1.5mm ² , 4.5m	1
54	Steel pipe stopper	2
55	Rear wheel	2
56	φ19	2
57	ST5*40 screw	1
58	Rear wheel rod	1
59	Hose assemblies φ32,2m	1
60	Bottom base	1
61	Outer barrel	1
62	Air inlet base	1
63	Air inlet cover	1
64	Plastic hasp	2
65	Plastic hasp base	2
66	Plastic hasp arm	2
67	half-round brush φ32	1
68	Small nozzle φ32	1



69	Metal telescopic tube	1
70	no-woven dustbag in Outer barrel	1
71	Hose assemblies ϕ 32,4m	1
72	Manual	1
73	Wet&Dry brush ϕ 32	1
74	plate filter for dry cleaning	1
75	connector for power tools	1
76	connector for drywall sander	1
77	metal front wheel	2
78	metal carpet brush	1