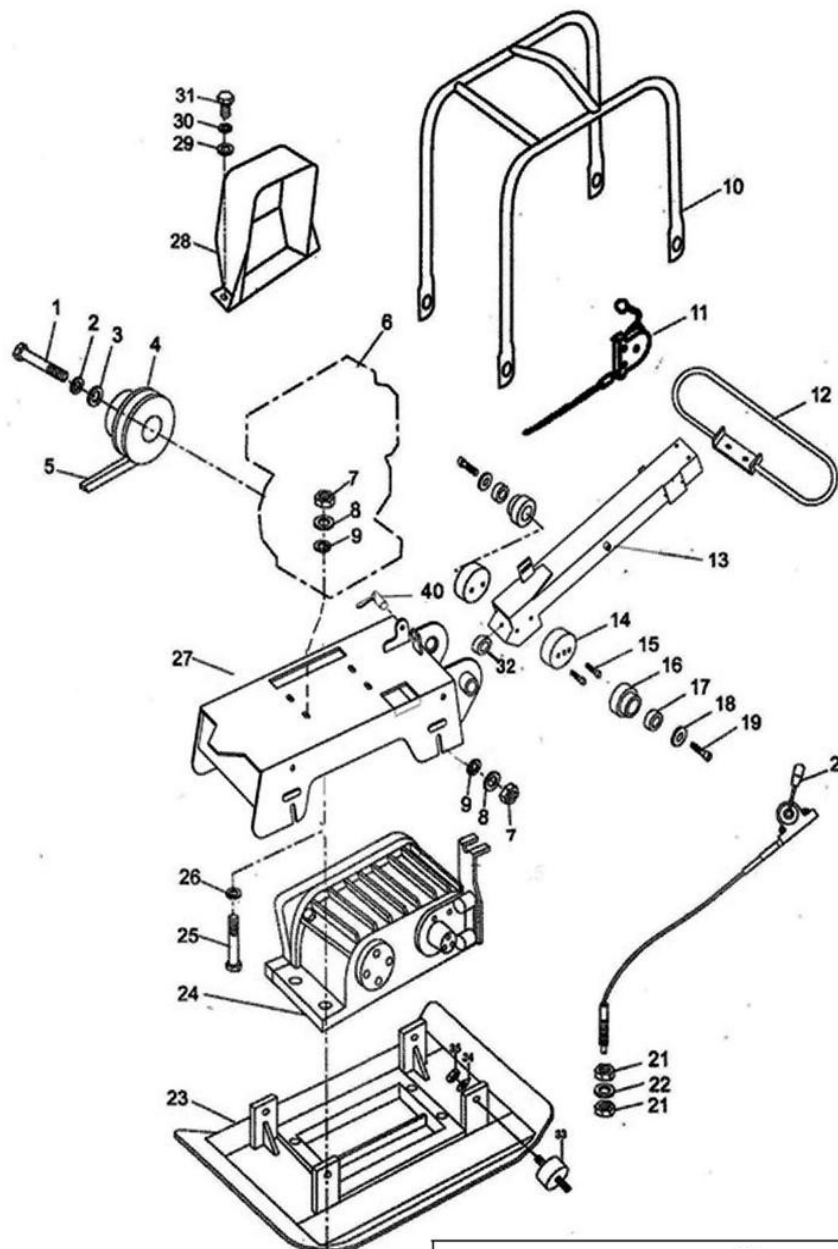
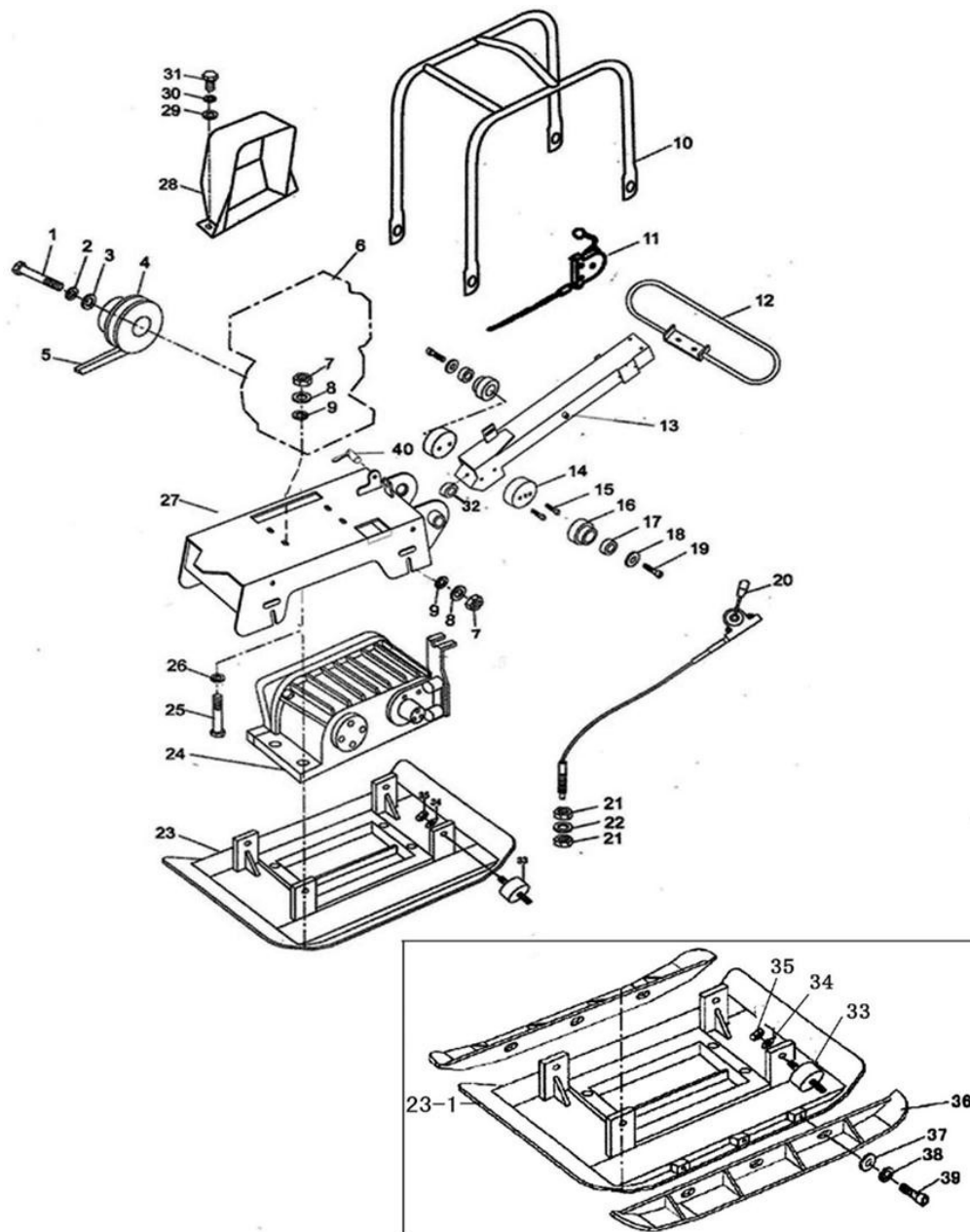


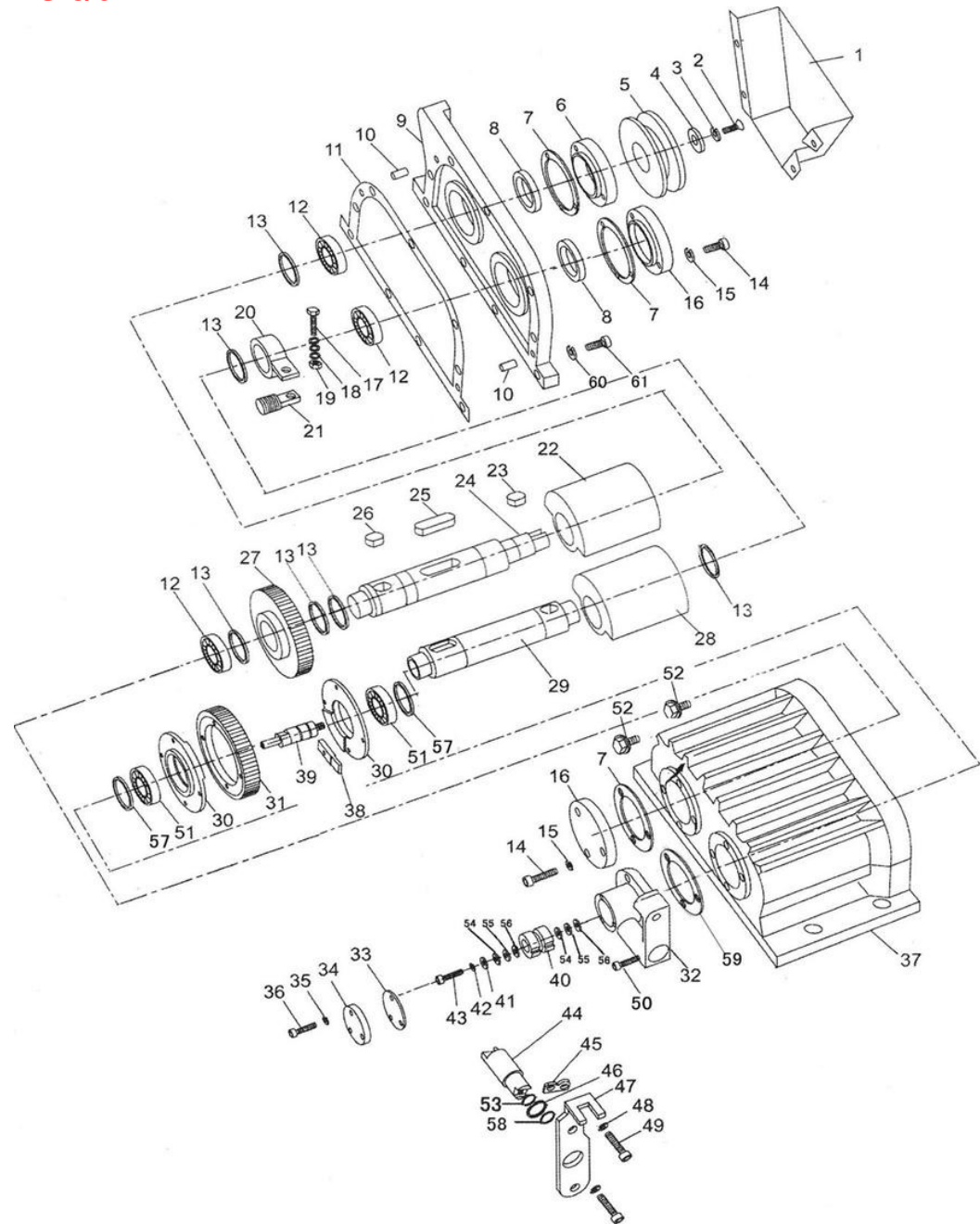
Major components		
PART NO.	DESCRIPTION	Price Euro without VAT
BZPCR160-001	Hexagonal bolt M8*30	
BZPCR160-002	Spring washer \varnothing 8	
BZPCR160-003	Washer \varnothing 8	
BZPCR160-004	Clutch assembly	
BZPCR160-005	V-belt	
BZPCR160-006	Engine	
BZPCR160-007	Nut M10	
BZPCR160-008	Spring washer \varnothing 10	
BZPCR160-009	Washer \varnothing 10	
BZPCR160-010	Protective frame	
BZPCR160-011	Throttle lever Assy	
	Throttle lever	
	Throttle cable	
BZPCR160-012	Grip	
BZPCR160-013	Handle	
BZPCR160-014	Shock absorber for handle	
BZPCR160-015	Hexagonal bolt M8*30	
BZPCR160-016	platter plate	
BZPCR160-017	lining tube	
BZPCR160-018	washer \varnothing 12	
BZPCR160-019	Hexagonal bolt M12*55	
BZPCR160-020	Vibrator control Assembly	
	Vibrator control switch	
	Vibrator control cable	
BZPCR160-021	nut M16	
BZPCR160-022	washer \varnothing 16	
BZPCR160-023	base plate	



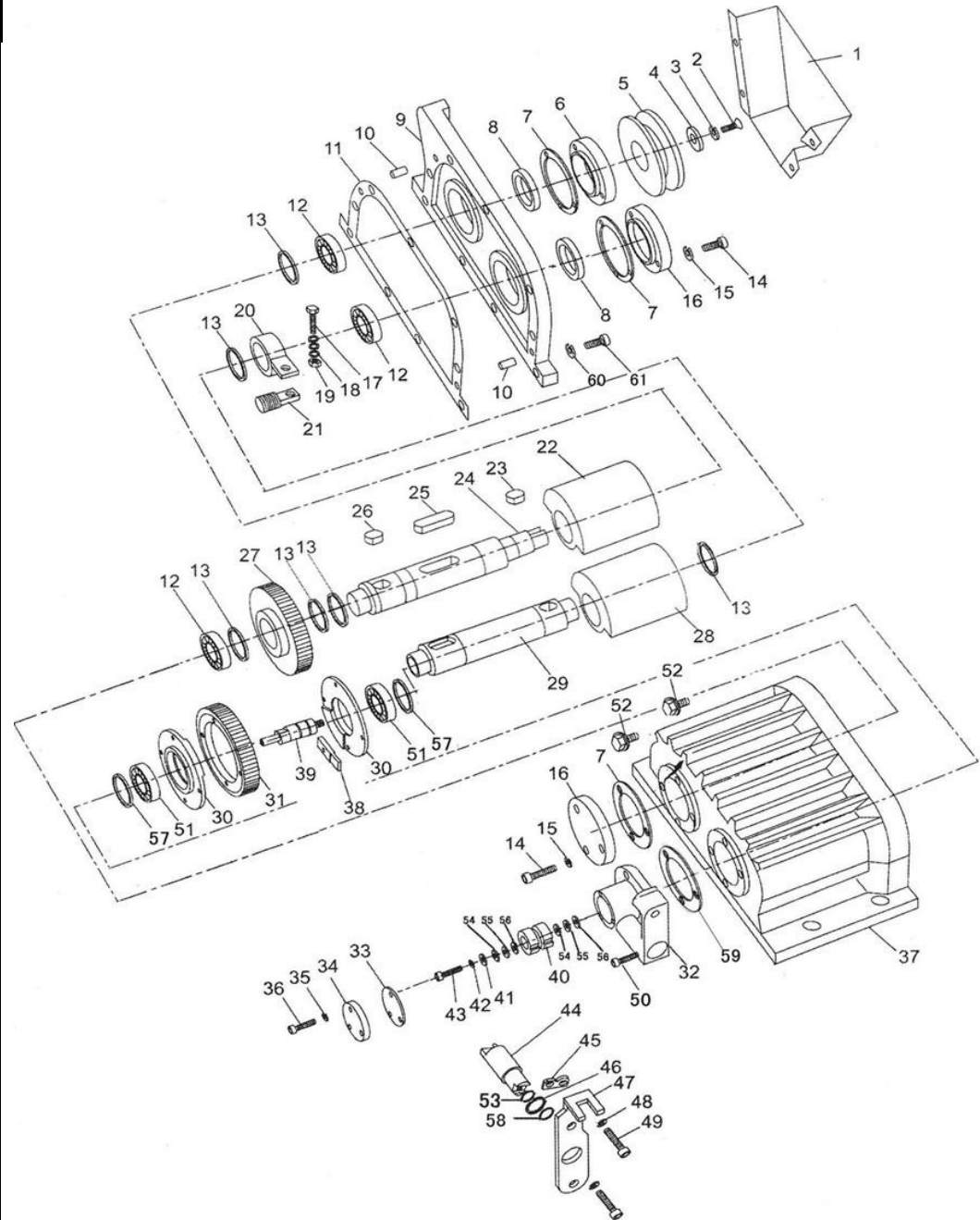
Major components		
PART NO.	DESCRIPTION	Price Euro without VAT
BZPCR160-023-01	base plate with extension plate (Optional)	
BZPCR160-024	Vibrator assembly	
BZPCR160-025	Hexagonal bolt M12*55	
BZPCR160-026	washer \varnothing 10	
BZPCR160-027	upper plate	
BZPCR160-028	Beltcover(upper)	
BZPCR160-029	washer \varnothing 8	
BZPCR160-030	spring washer \varnothing 8	
BZPCR160-031	Socket head bolt M8*16	
BZPCR160-032	Fixed rubbercollar	
BZPCR160-033	Shock absorber for base plate	
BZPCR160-034	washer \varnothing 12	
BZPCR160-035	Nut M12	
BZPCR160-036	Extension plate (Optional)	
BZPCR160-037	washer \varnothing 16	
BZPCR160-038	spring washer \varnothing 16	
BZPCR160-039	Hexagonal bolt M16*45	
BZPCR160-040	locknut for handle	



Major components of vibrator assy		
PART NO.	DESCRIPTION	Price Euro without VAT
BZPCR160-024-01	Belt cover (blow)	
BZPCR160-024-02	flat screw M8*20	
BZPCR160-024-03	Spring washer \varnothing 8	
BZPCR160-024-04	dished washer \varnothing 8	
BZPCR160-024-05	clutch outer	
BZPCR160-024-06	Bearing cover for pulley	
BZPCR160-024-07	paper cushion	
BZPCR160-024-08	Oil seal 28*50*10	
BZPCR160-024-09	case of vibrator	
BZPCR160-024-10	dowel ping \varnothing 8	
BZPCR160-024-11	paper cushion	
BZPCR160-024-12	Bearing NJ206	
BZPCR160-024-13	clamp spring \varnothing 42	
BZPCR160-024-14	Socket head bolt M8*20	
BZPCR160-024-15	Spring washer \varnothing 8	
BZPCR160-024-16	Bearing cover / shut-off	
BZPCR160-024-17	Socket head bolt M10*65	
BZPCR160-024-18	spring clamp	
BZPCR160-024-19	nut M10	
BZPCR160-024-20	Stopper	
BZPCR160-024-21	Screw M20	
BZPCR160-024-22	Eccentric rotator, drive	
BZPCR160-024-23	flat key 8*20	
BZPCR160-024-24	Ecc. Rotary shaft, drive	
BZPCR160-024-25	flat key 12*50	
BZPCR160-024-26	flat key 12*20	
BZPCR160-024-27	Gear , drive	



Major components of vibrator assy		
PART NO.	DESCRIPTION	Price Euro without VAT
BZPCR160-024-28	Eccentric rotator, driven	
BZPCR160-024-29	Ecc.rotary shaft, driven	
BZPCR160-024-30	Dial plate(R/L)	
BZPCR160-024-31	Gear, driven	
BZPCR160-024-32	Cylinder	
BZPCR160-024-33	paper cushion	
BZPCR160-024-34	Cover, cylinder	
BZPCR160-024-35	spring washer \varnothing 6	
BZPCR160-024-36	Socket head bolt M6*20	
BZPCR160-024-37	Vibrating case	
BZPCR160-024-38	Knock pin	
BZPCR160-024-39	Position rod	
BZPCR160-024-40	Groove	
BZPCR160-024-41	\varnothing 5*32*2.5 Washer	
BZPCR160-024-42	\varnothing 5 Spring Washer	
BZPCR160-024-43	Socket head boltM5*16	
BZPCR160-024-44	Rotator	
BZPCR160-024-45	Lever	
BZPCR160-024-46	Oil seal20*30*6	
BZPCR160-024-47	Holder	
BZPCR160-024-48	Spring washer \varnothing 10	
BZPCR160-024-49	Socket head bolt M10*25	
BZPCR160-024-50	Socket head bolt M8*25	
BZPCR160-024-51	Bearing 16008	
BZPCR160-024-52	oil plugM14*1.5	
BZPCR160-024-53	O-ring	
BZPCR160-024-54/55/56	Plane bearing	



Major components of vibrator assy		
PART NO.	DESCRIPTION	Price Euro without VAT
BZPCR160-024-57	clmap spring \varnothing 40	
BZPCR160-024-58	clmap spring \varnothing 30	
BZPCR160-024-59	paper cushion, cylinder	
BZPCR160-024-60	washer \varnothing 10	
BZPCR160-024-61	Socket head bolt M10*30	