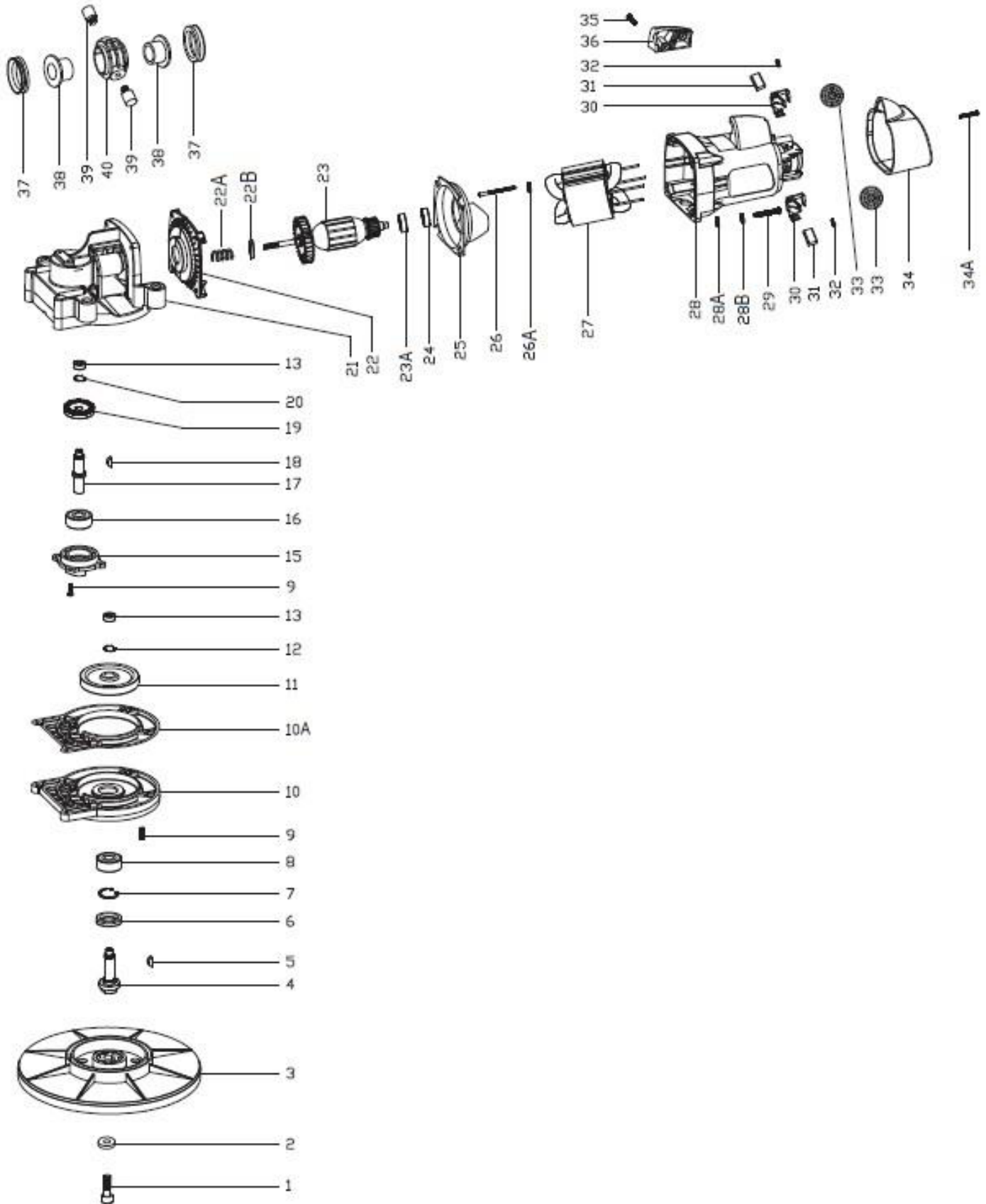
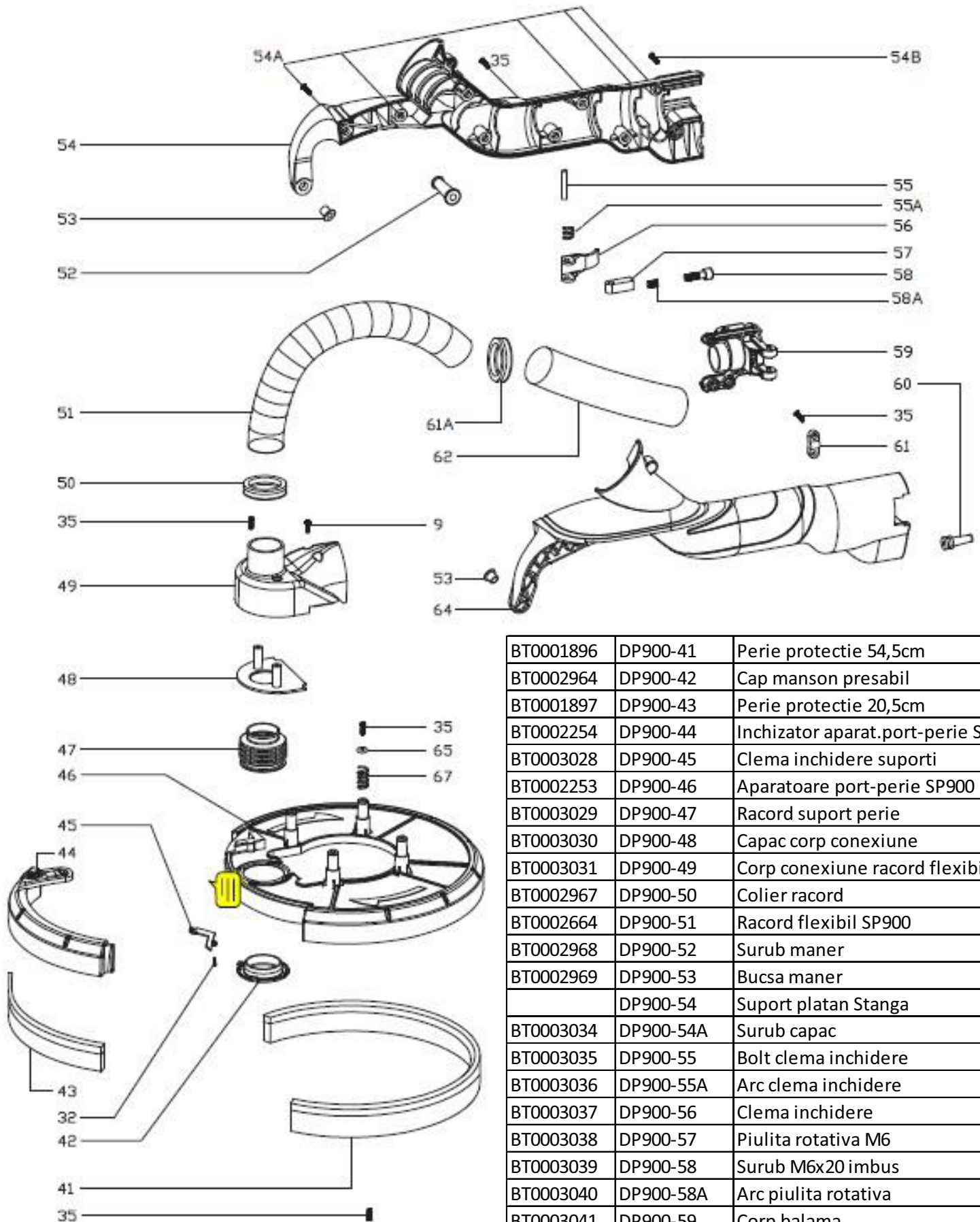




Schema tecnica esplosa
SP 900 Slefuitor pereti si tavane



BT0002954	DP900-1	Surub M8x14 imbus
BT0002955	DP900-2	Saiba Ø8
BT0001899	DP900-3	Platan suport smirghel
BT0002956	DP900-4	Ax suport smirghel
BT0002957	DP900-5	Pana ax 8x3x3
BT0002958	DP900-6	Simering 18x24x4
BT0002959	DP900-7	Siguranta Ø9
BT0002960	DP900-8	Rulment 6900 RS
BT0002999	DP900-9	Surub M4x12
BT0002961	DP900-10	Capac reductor
BT0002962	DP900-10A	Garnitura reductor SP900
BT0002963	DP900-11	Roata melcata
BT0003000	DP900-12	Siguranta Ø19
BT0002972	DP900-13	Rulment 606 Z
	DP900-14	Nu exista
BT0002973	DP900-15	Flansa rulment 699 Z
BT0002974	DP900-16	Rulment 699 Z
BT0002975	DP900-17	Ax melcat
BT0003001	DP900-18	Pana ax melcat
BT0003002	DP900-19	Pinion atac SP900
BT0003003	DP900-20	Saiba Ø9 bronz
BT0003004	DP900-21	Corp reductor SP900
BT0003005	DP900-22	Capac plastic reductor SP900
BT0003006	DP900-22A	Arc rotor SP900
BT0003007	DP900-22B	Garnitura textil SP900
BT0001898	DP900-23	Rotor SP900
BT0003008	DP900-23A	Protectie praf rotor SP900
BT0003009	DP900-24	Rulment 607 RS
BT0003011	DP900-25	Aparate ventilatie rotor
BT0003012	DP900-26	Surub M4x70
BT0003013	DP900-27	Stator SP900
BT0003014	DP900-28	Carcasa plastic motor SP900
BT0003015	DP900-28A	Saiba M4
BT0003016	DP900-28B	Saiba M4 Grower
BT0003017	DP900-29	Surub M4x20
BT0003018	DP900-30	Port perie colectoare
BT3002448	DP900-31	Perie colectoare SP900
BT0002968	DP900-32	Idem DP900-52/BT0002968
BT0003019	DP900-33	Arc perie colectoare SP900
BT0003020	DP900-34	Capac carcasa plastic motor SP900
BT0003021	DP900-34A	Surub Ø3x14
BT0003022	DP900-36	Piesa inchidere
BT0003023	DP900-37	Garnitura cauciuc
BT0003024	DP900-38	Bucsa plastic
BT0003025	DP900-39	Surub M5x6
BT0003026	DP900-40	Corp manson flexibil

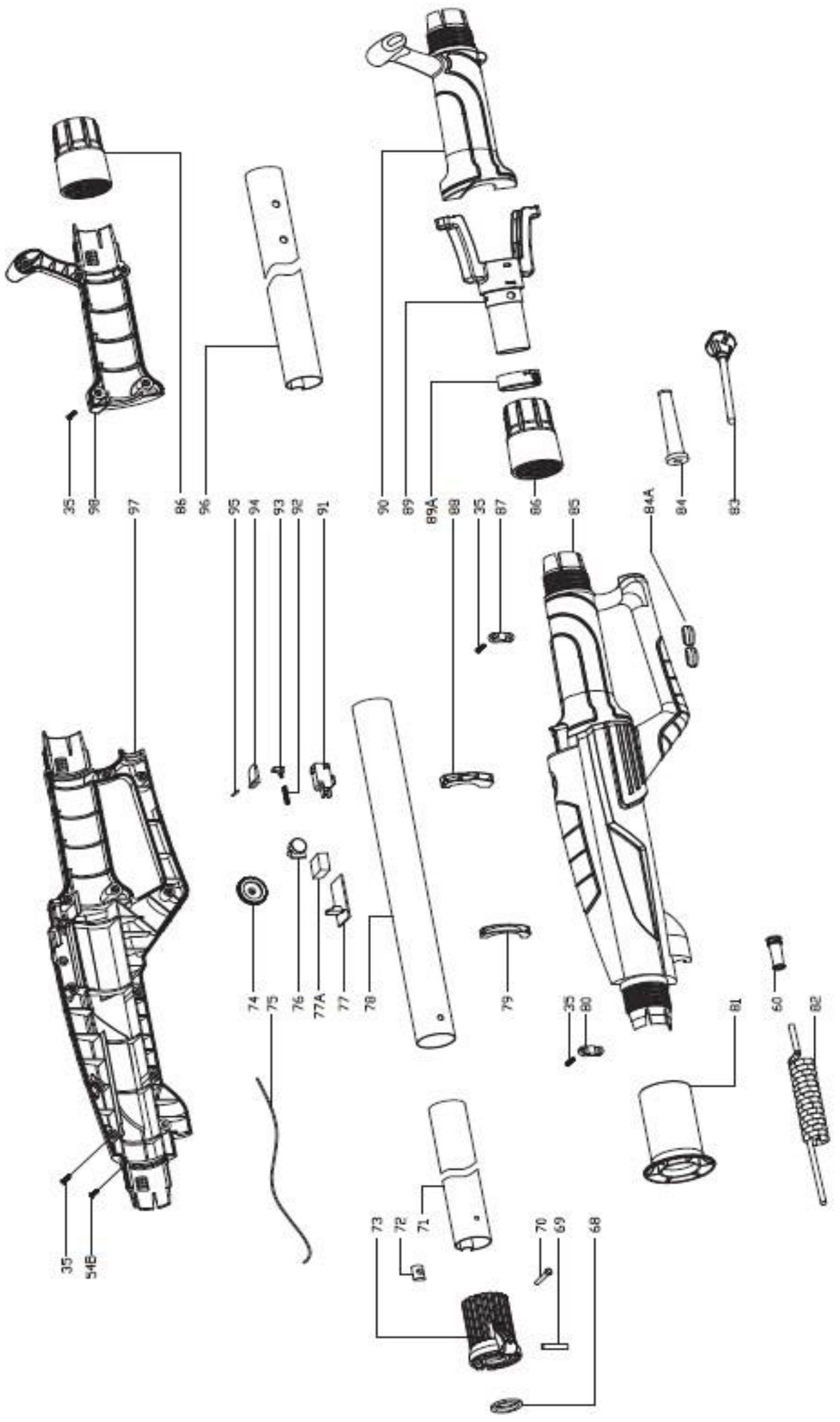


BT0001896	DP900-41	Perie protectie 54,5cm
BT0002964	DP900-42	Cap manson presabil
BT0001897	DP900-43	Perie protectie 20,5cm
BT0002254	DP900-44	Inchizator aparat.port-perie SP900
BT0003028	DP900-45	Clema inchidere suporti
BT0002253	DP900-46	Aparatoare port-perie SP900
BT0003029	DP900-47	Racord suport perie
BT0003030	DP900-48	Capac corp conexiune
BT0003031	DP900-49	Corp conexiune racord flexibil
BT0002967	DP900-50	Colier racord
BT0002664	DP900-51	Racord flexibil SP900
BT0002968	DP900-52	Surub maner
BT0002969	DP900-53	Bucsa maner
	DP900-54	Suport platan Stanga
BT0003034	DP900-54A	Surub capac
BT0003035	DP900-55	Bolt clema inchidere
BT0003036	DP900-55A	Arc clema inchidere
BT0003037	DP900-56	Clema inchidere
BT0003038	DP900-57	Piulita rotativa M6
BT0003039	DP900-58	Surub M6x20 imbus
BT0003040	DP900-58A	Arc piulita rotativa
BT0003041	DP900-59	Corp balama



Schema tehnica explodata
SP900 Slefuitor pereti si tavane

PAG.3/5



BT0003042	DP900-60	Surub special balama
BT0002970	DP900-61A	Adaptor racord SP 900
BT0003043	DP900-62	Racord fix
	DP900-63	service@italiastar.ro
	DP900-64	Suport platan Dreapta
	DP900-65	Saiba
	DP900-66	service@italiastar.ro
BT0003045	DP900-67	Arc suport perie
BT0003027	DP900-68	O-ring Ø28
	DP900-69	Bolt sistem rabatare
	DP900-70	Surub
	DP900-71	Stut teava AL balama
	DP900-72	Clema inchidere balama
BT0003032	DP900-73	Balama manson
BT0003048	DP900-74	Rotita potentiometru
	DP900-75	Se livreaza numai impreuna DP900-76-77
BT0003049	DP900-76	Potentiometru SP900
BT0003050	DP900-77	Circuit electronic
BT0004417	DP900-77A	Condensator SP900
	DP900-78	Teava AL int. maner conducta aspiratie
	DP900-79	Ghidaj furtun aspiratie
	DP900-80	Clema plastic fixare cablu
	DP900-81	Racord plastic fixare maner
	DP900-82	Cablu legatura motor-intrerupator
	DP900-83	Cablu electric cu stecher
BT0004814	DP900-84	Cablu electric SP900
BT0002255	DP900-85	Carcasa maner SP900 ST.
BT0003478	DP900-86	Racord plastic fixare maner
	DP900-87	Idem DP900-80
	DP900-88	Ghidaj furtun aspiratie
BT0004997	DP900-89	Racord furtun aspirator SP900
BT0003052	DP900-90	Carcasa maner 1/2 Stg.
BT0002830	DP900-91	Intrerupator On-Off SP900
BT0004416	DP900-92	Buton intrerupator SP900
BT0003054	DP900-93	Parghie tasta
BT0003053	DP900-94	Tasta intrerupator
BT0003055	DP900-95	Ax tasta intrerupator
	DP900-96	Teava AL prelungire conducta aspiratie
BT0002452	DP900-97	Carcasa maner SP900 DR.
BT0003051	DP900-98	Carcasa maner 1/2 DR
BT0002671	DP900-111	Furtun racordare la aspirator SP900