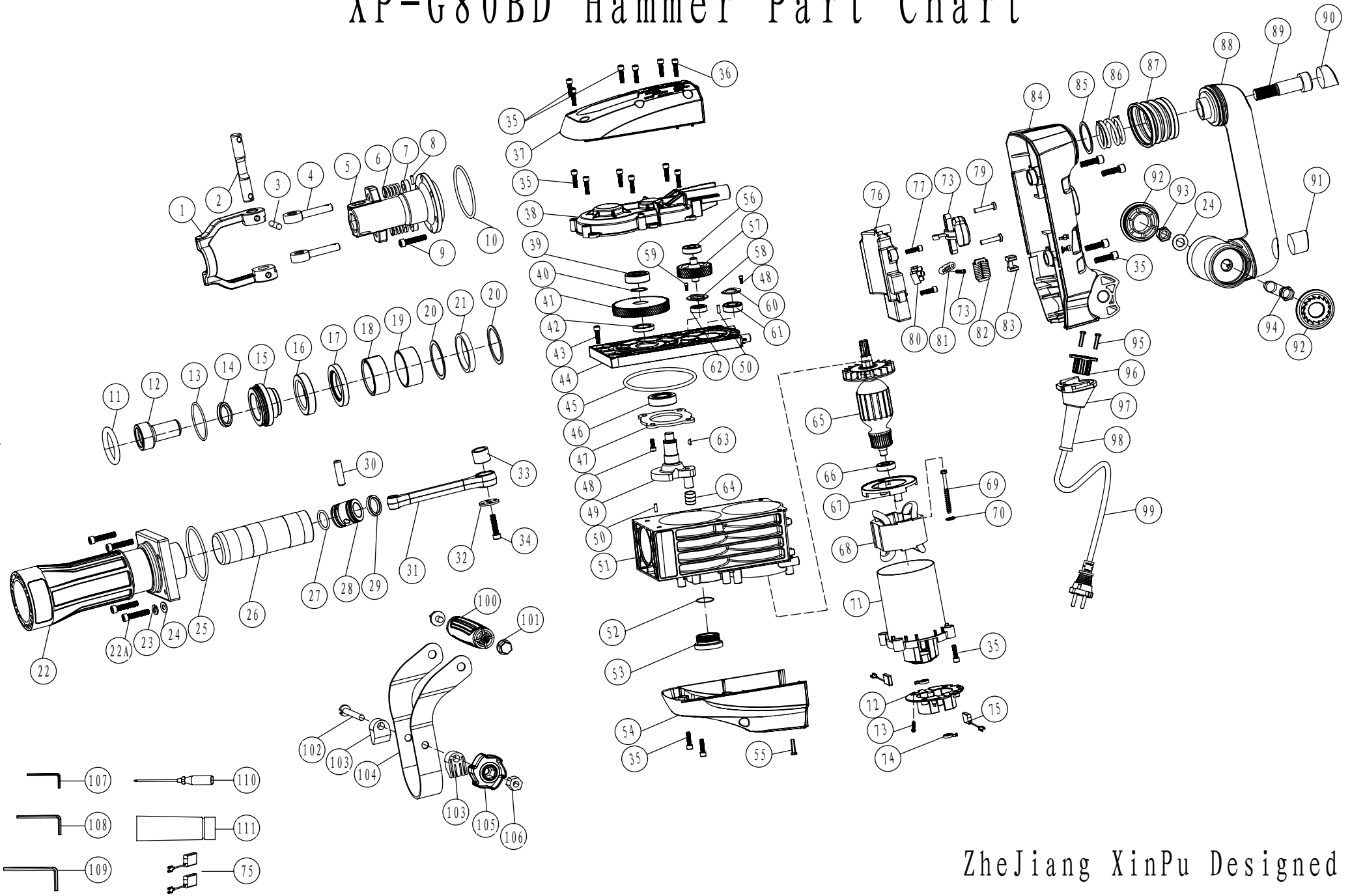


XP-G80BD Hammer Part Chart



ZheJiang XinPu Designed

XP-G80BD Hammer Parts List

XP-No	Item No.	Part Describe	Quantity	XP-No	Item No.	Part Describe	Quantity
88271020	1	Chisel Chuck	1	88232003	56	6201 RZ Ball Bearing	1
88271021	2	Locking Lever	1	88271002X	57	Counter Gear	1
88210194	3	Spring Column Pin	2	88221045	58	6001 RZ Bearing Cover	1
88272023	4	Pull rod	2	88210029	59	M5x10 Embedding Screws	2
88271022	5	Front Cover	1	88221051	60	6203 DD Bearing Cover	1
88222032	6	Pull rod spring	2	88237010	61	6203 DD Ball Bearing	1
88272026	7	Pull ring	2	88232002	62	6001 RZ Ball Bearing	1
88221018	8	Needle Roller	2	88221019	63	Woodruff Key 4x16	2
88210016	9	Hex .Socket Bolt M8x30 (12.9)	6	88221036	64	Crank Shaft Ring	1
88261044	10	O-Ring $\Phi 74 \times \Phi 2$	1	88280139	65	Armature	1
88261045	11	Fluorin O-Ring $\Phi 46.5 \times \Phi 5$	1	88232004	66	6201 RS Ball Bearing	1
88271015	12	Impact Hammer	1	88261072	67	Fan Guide	1
88261046	13	O-Ring $\Phi 62 \times \Phi 3$	1	88280140	68	Stator	1
88261047	14	Y Type Sealing Ring $\Phi 37.2 \times \Phi 26.6 \times 5$	1	88210044	69	ST4.8x70 Tapping Screw	2
88271014	15	Shank Sleeve	1	88210055	70	$\Phi 5$ Flat Washer	2
88261043	16	Small Urethane Ring	1	88261073	71	Stator Assy's	1
88271016	17	locking Ring	1	88241029	72	Carbon Brush bracket subassembly	1
88271009	18	Mouth	1	88210115	73	ST4.2x16 Tapping Screw	8
88261008	19	Mouth Cover	1	88241032	74	Helical spring	2
88221012	20	Mouth Washer	2	88243022	75	Carbon Brush	2
88261006	21	Big Urethane Ring	1	88241030	76	Switch Support	1
88290117	22	Aluminum Head	1	88210003	77	Hex .Socket Bolt M5x16	4
88210021	22A	Hex .Socket Bolt M8x40(12.9)	4	88241028	78	Switch	1
88210053	23	$\Phi 8$ Spring Washer	4	88210076	80	Rivet	2
88210059	24	$\Phi 8$ Flat Washer	5	88261010	81	Cord Clip	1
88261066	25	O-Ring $\Phi 53 \times \Phi 2.5$	1	88244023	82	Electricity Feels	1
88271008	26	Cylinder	1	88261075	83	Indicator	1
88261053	27	Fluorin O-Ring $\Phi 35 \times \Phi 5.5$	1	88261076	84	Side Handle Ass'y Base	1
88290021	28	Piston	1	88221046	85	Shock Absorption Spring Washer	1
88261052	29	Y Type Sealing Ring $\Phi 35 \times 7$	1	88221047	86	Shock Absorption Spring	1
88271010	30	Piston Pin	1	88261083	87	Shock Absorption Jacket	1
88271006	31	Connecting Rod Ass'y	1	88261077	88	Main Handle	1
88221002	32	Crank Washer	1	88210219	89	M14 Bolt	1
88234004	33	NK18/20 Needle Bearing	1	88261084	90	Rubber Stopper-1	1
88210018	34	Hex .Socket Bolt M8x1x35	1	88261085	91	Rubber Stopper-2	1
88210008	35	Hex .Socket Bolt M6x20 (12.9)	22	88261078	92	Adorn Cover	2
88210134	36	Hex .Socket Bolt M6x25(12.9)	2	88210158	93	Nut M8	1
88261070	37	Cover	1	88210218	94	M8 Bolt	1
88290118	38	Gear Cover	1	88210035	95	ST4.2x10 Tapping Screw	2
88237012	39	6302 Z Ball Bearing	1	88261079	96	Jacket Platen	1
88210066	40	$\Phi 22$ Retaining Ring	1	88261080	97	jacket orientation piece	1
88271001	41	Final Gear	1	88261016	98	Cord Armor	1
88221001	42	Distance Ring	1	88250000	99	Cord	1
88210178	43	Hex .Socket Bolt M6x35(12.9)	6	88261081	100	Grip	1
88290119	44	Inner Cover	1	88210048	101	M8x10 Hex Head Screw	2
88261082	45	O-Ring $\Phi 109 \times \Phi 3.1$	1	88210222	102	M10x120 Long Screw	1
88237011	46	6205 DD Ball Bearing	1	88261029	103	Plastic Clip	2
88221004	47	6205 DD Bearing Cover	1	88221050	104	Side Handle Ass'y	1
88210002	48	Hex .Socket Bolt M5x12(12.9)	7	88261087	105	Function Knob	1
88271004	49	Crank Shaft	1	88210221	106	Nut M10x18	1
88221017	50	Pin $\Phi 5 \times 14$	2	88301002	107	4mm Hex Bar Wrench	1
88290120	51	Housing Ass'y	1	88301003	108	5mm Hex Bar Wrench	1
88261054	52	O-Ring $\Phi 20 \times \Phi 2$	1	88301004	109	6mm Hex Bar Wrench	1
88261055	53	Oil Tank Cover	1	88301007	110	Dual Screw Driver	1
88261071	54	Fan Cover	1	88304020	111	Oil Bottle	1
88210130	55	ST4.8x35 Tapping Screw	2				