

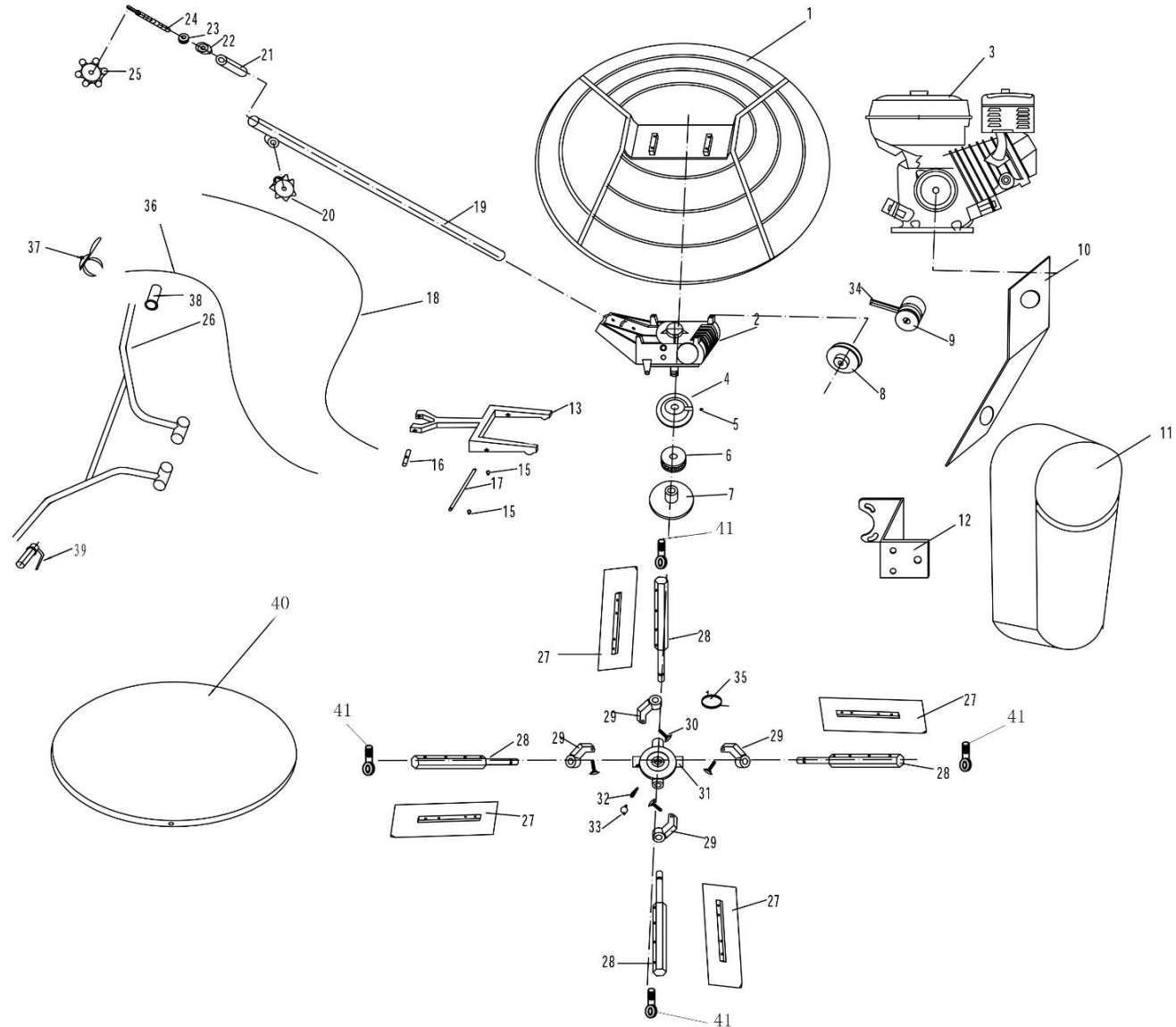


# Schema esplosata elicotter pardoseala EP1200

version: 201507

## Major components

PART NO.	Description	QTY
PT4601	Guard cover	1
PT4602	Reduction box	1
PT4603	Engine	1
PT4604	Small plate	1
PT4605	Staight nozzle	1
PT4606	Plane bearing	1
PT4607	Bigger plate	1
PT4608	Pulley	1
PT4609	Clutch	1
PT4610	Lifting plate	1
PT4611	Belt cover	1
PT4612	Bracket,belt cover	1
PT4613	Knock pin	1
PT4615	Circlip	1
PT4616	Pin rod	1
PT4617	Knock pin shaft	1
PT4618	Adjusting cable	1
PT4619	Handle pipe	1
PT4620	Handle wheel A	1
PT4621	Screw stem nut	1
PT4622	Fixing seat for plane bearing	1
PT4623	Plane bearing	1



PT4624	Adjusting screw stem	4
PT4625	Handle wheel B	1
PT4626	Handle	1
PT4627	Blade450*150*1.8mm	4
PT4628	Blade fixer	4
PT4629	Adjusting device	
PT4630	Cross screw	4
PT4631	Cross	1
PT4632	Fixing screw	8
PT4633	Bending nozzle	4
PT4634	V-belt	1
PT4635	Torsional spring	4
PT4636	Throttle cable	1
PT4637	Throttle lever	1
PT4638	Grip	2
PT4639	Red switch, engine stop	1
PT4640	Fixed ring	1
PT4641	Bearing SA8ES	4
PT4642	Cable roller (Nylon)	1
PT4643	Iron pan (Optional)	1

Remark: Our machines are with one year warranty except easy - damaged parts which marked in yellow.