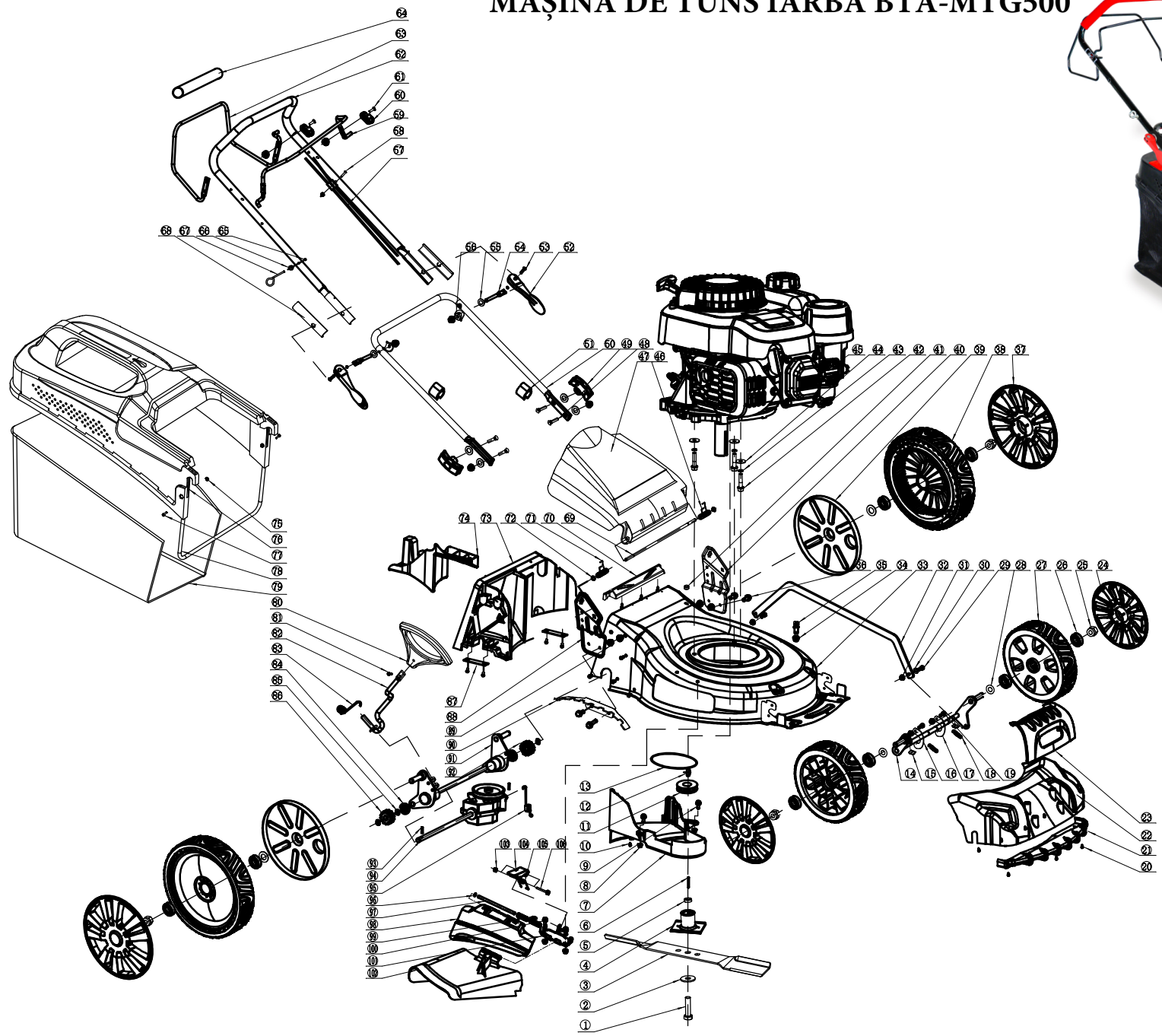


MAȘINA DE TUNS IARBA BTA-MTG500



MAȘINA DE TUNS IARBA BTA-MTG500

NO.	CODE	part name	QTY	NOTE
1	55001-E10G-040C	Hexagon head bolt	1	
2	55012-LA17-0100	Dish washer 65Mn	1	
3	71100-LA20-00B6	Blade	1	
4	64010-LA17-0200	Blade adapter	1	
5	54104-LA17-0100	Blade washer	1	
6	13301-LA20-0000	Flat key	1	
7	73005-LA20-0000	Belt cover	1	
8	B6183-0600-000F	Hexagon nuts with non-metallic insert	6	
9	B5789-06KG-018F	Hexagon flange bolts	2	
10	B845-ST42-010C	Cross recessed pan head tapping screws	1	
11	72010-LA17-0100	Initiative pulley	1	
12	13304-V65F-0000	Half round key	1	
13	72003-LA20-0000	Belt	1	
14	51301-LA20-02B5	Front wheel axis assembly	1	
15	51380-LA20-00B5	Front wheel axis cab	2	
16	51202-LA20-0300	Front wheel axis board(right)	1	
17	51202-LA20-0000	Front wheel axis board(left)	1	
18	72161-LA20-0000	Front wheel tension spring	2	
19	B5789-06KG-014F	Hexagon flange bolts	2	
20	B845-ST42-016F	Cross recessed pan head tapping screws	12	
21	44030-LA20-00B5	Comb grass board	1	
22	11016-LA20-00B5	Front mask	1	
23	51370-LA20-00RP	Front handle	1	
24	51311-LA20-00RP	Wheel cover	2	
25	B6182-1000-000F	Hexagon nuts with non-metallic insert	4	
26	C6100-LA17-0000	Stamping bearings	8	
27	51310-LA20-00B5	Front wheel	2	
28	B7246-130G-000F	Corrugated spring washer	4	
29	12020-LA17-0400	Connecting rod bolt	2	
30	B96. 2-060G-000F	Flat washer	2	
31	B6182-0600-000F	Hexagon nuts with non-metallic insert	2	
32	67006-LA20-00B5	Height adjuster link bar	1	
33	63010-LA20-00RP	Duck Assembly	1	
34	44008-1400-00B5	Nylon nut	1	
35	44302-LA20-00B5	Quick washing hole	1	
36	B5789-08LG-020F	Hexagon flange bolts	4	
37	51311-LA20-03RP	Wheel cover	2	
38	51310-LA20-03B5	Wheel assembly	2	

39	55005-LA20-01B5	Wheel dust cap	2	
40	51160-LA20-02B5	Handle Support(left)	1	
41	51380-LA17-01B5	Cable sheath	1	
42	B5789-08LG-030F	Hexagon flange bolts	3	
43	B93-080G-000F	Spring washer	3	
44	B96. 2-080G-010F	Flat washer	7	
45	10000-V67F-B004	Engine	1	
46	66015-LA20-0100	Cover board torsion spring(left)	1	
47	51206-LA20-01B5	Catcher box cover board	1	
48	B801-08LG-030F	Half round head square neck bolts	4	
49	44009-LA17-02RP		2	
50	44210-LA20-01B5	Lower handle	1	
51	11013-LA17-00B5	Cable clip	2	
52	44010-LA18-00RP	Fast lock handle	2	
53	44010-LA18-0000	Fast lock pin	2	
54	12020-LA18-0000	Different bolt	2	
55	B96. 2-100G-000F	Flat washer	2	
56	55012-LA17-00B5	Bolt isolation pad	2	
57	53230-LA20-2060	Brake and drive Cable Assembly	1	
58	12020-LA17-0200	Different bolt	1	
59	53235-LA17-02B5	Blade Control Bar	1	
60	55012-LA17-02B5	Clip	2	
61	12020-LA17-0600	Line clip bolt	2	
62	44210-LA17-02B5	Uper handle	1	
63	53235-LA17-01B5	Self-propelled control bar	1	
64	51306-LA20-00RP	Push rod sheath	1	
65	B923-06KC-000F	Acorn nut	2	
66	B6177. 1-06KG-000F	Reel nut	1	
67	44325-LA20-0000	Recoil Starter Grip	1	
68	55012-LA17-03B5	Insulating Spacer	2	
69	51301-LA20-0000	Rear deflector rod	1	
70	51202-LA20-04B5	Plastic Carter	1	
71	66015-LA20-0200	Rear deflector spring	1	
72	B896-0006-000F	Lock washers for shafts	2	
73	63001-LA20-00B5	Plastic air path	1	
74	51312-LA20-00B5	Mulching wedge	1	
75	B41-05KG-000F	Hexagon nut	2	
76	51206-LA20-00B5	Catcher box upper cover	1	
77	B818-05LC-020F	Cross recess pan head screw	2	
78	51206-LA20-02B5	Vatcher box bracket	1	

79	66010-LA20-02B5	Fabric bag	1	
80	75001-LA20-01RP	Height adjuster handle	1	
81	B818-06KC-010F	Cross recess pan head screw	1	
82	67005-LA20-0000	Height adjuster lever	1	
83	66015-LA20-0300	Height adjuster torsion spring	1	
84	B275-R8ZZ-0000	Bearing	2	
85	B894.1-0012-000C	Shaft with elastic open retainer	4	
86	72101-LA17-0100	Drive gear	1	
87	51202-LA20-0200	Rear wheel axis board	2	
88	51160-LA20-03B5	Handle Support	1	
89	B6183-0800-000F	Hexagon nuts with non-metallic insert	9	
90	63003-LA20-00B5	Height adjuster bracket	1	
91	51301-LA20-03B5	Rear wheel axis assembly	1	
92	72101-LA17-0000	Drive gear	1	
93	11014-LA17-0000	Drive gear pin	2	
94	C6010-LA20-0000	Gear box	1	
95	72161-LA20-0300	Gear box tension spring	1	
96	B896-0005-000F	Lock washers for shafts	3	
97	51301-LA20-0100	Side-discharge axis	1	
98	53330-LA20-00B5	Side-discharge flap	1	
99	66015-LA20-0000	Side-discharge torsion spring	1	
100	B5789-06KG-012F	Cap boltM6×12	2	
101	51213-LA20-0000	Side-discharge bracket	1	
102	63001-LA18-01B5	Side-discharge channel	1	
103	B6182-0500-000F	Hexagon nuts with non-metallic insert	1	
104	51213-LA18-00B5	Side-discharge position limiter bracket	1	
105	66015-LA18-0100	Side-discharge position limited torsion sp	1	
106	B5789-05KG-035F	Hexagon flange bolts	1	