

# Explozie piese de schimb BTA-GC360 Sistem de cosire



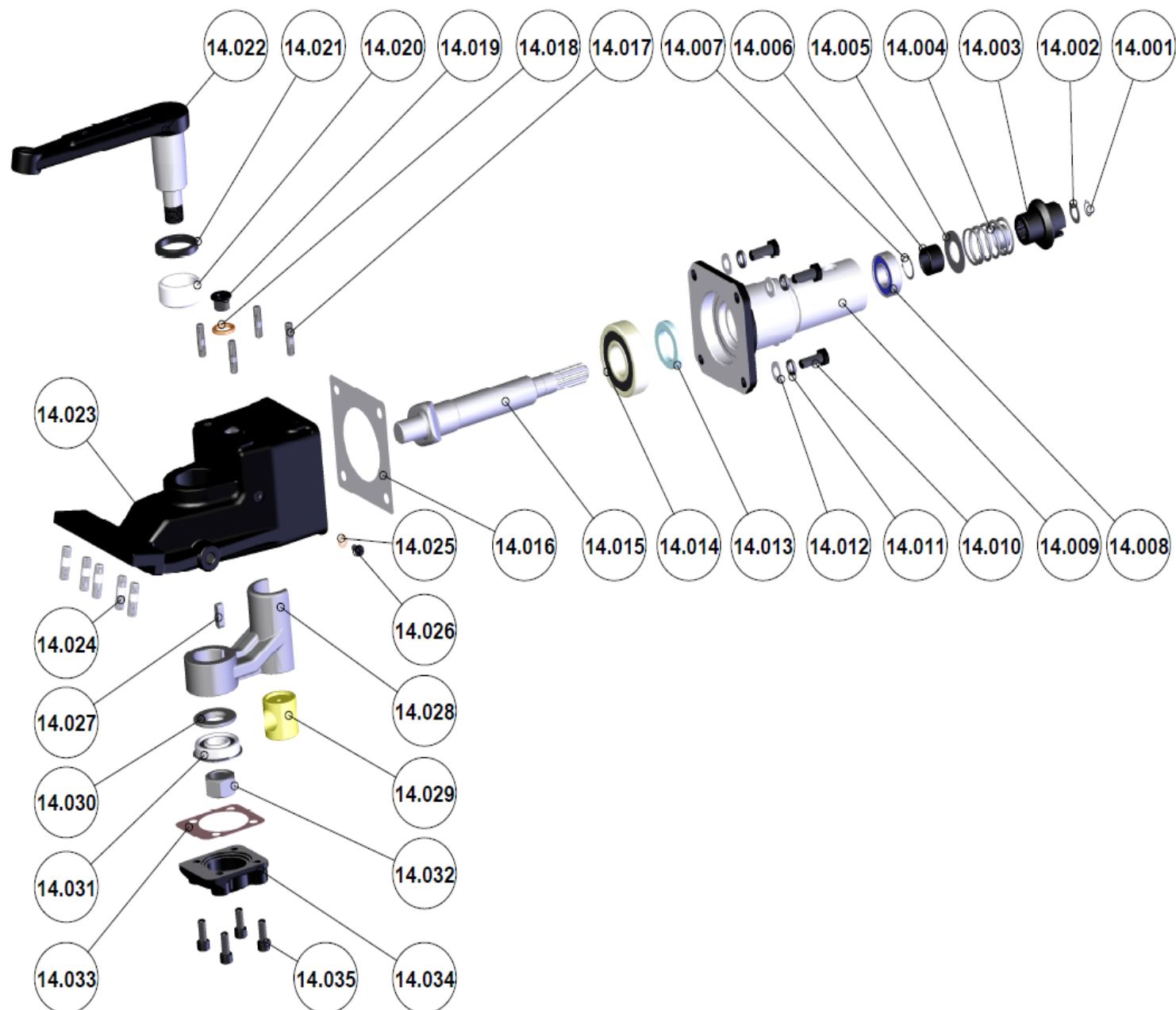
# Explozie piese de schimb

## BTA-GC360 Sistem de cosire



No.	Drawing NO.	Parts NO.	Parts name in English	Spec.	Qty
1	XZJ-06	201106001	shield of gearbox	A3	1
2	GB/T2672-1986	G01018	bolt	M6x25	6
3	GB/T5287-1985	G02007	washer	φ 24x φ 6.3x2	6
4	XZJ-07	201106002	rubber washer		12
5	GB/T95-1985	G02008	flat washer	φ 6	6
6	GB/T93-1987	G03003	spring washer	φ 6	6
7	GB/T6170-1986	G04008	nut	M6	6
8	XZJ-05	201106003	support of big shield	A3	1
9	GB/T93-1987	G03002	spring Washer	φ 8	8
10	GB/T95-2002	G02003	flat washer	φ 8	8
11	GB/T6170-1986	G04002	nut	M8	4
12	XZJ-03	201106004	junction plate	A3	1
13	GB/T5780-1987	G01005	bolt	M8x20	2

# Explozie piese de schimb BTA-GC360 Sistem de cosire



# Explozie piese de schimb

## BTA-GC360 Sistem de cosire



<b>14</b>		201106200	<b>gearbox assy</b>		<b>1</b>
14,001	GB/T894.1-1986	G09009	washer on shaft	φ 12	1
14,002	DGN360ST.00-10	201105007	washer	65Mn	1
14,003	XZJ.02-03	201106005	function connection	20CrMnA	1
14,004	SDJ-05-00-08	201105012	spring	60Si2MnA	1
14,005	SDJ-05-00-06	201105010	washer	45#	1
14,006	SDJ-05-00-05	201105011	heel	45#	1
14,007	GB/T894.1-1986	G09014	washer on shaft	φ 20	1
14,008	GB/T276-1994	G08037	bearing	φ 42xφ20x12	1
14,009	XZJ.02-01	201106006	connector support	ZG40Cr1	1
14,01	GB/T5780-1987	G01050	bolt	M10x25	4
14,011	GB/T93-1987	G03001	spring washer	φ 10	4
14,012	GB/T95-1985	G02002	flat washer	φ 10	4
14,013	GB/T9877.1-1988	G05019	fasket	φ 47x φ 30x7	1
14,014	GB/T276-1994	G08024	bearing	φ 72x φ 30x19	1
14,015	XZJ.02-02	201106007	spline shaft	20CrMn	1
14,016	XZJ.01-10	201106008	sealing gasket		1
14,017	GB/T899-1988	G01110	double-end bolt	M8x20	4
14,018		201102022	rubber blanket	φ 23x φ 16.2x3	1
14,019	XZJ.01-12	201102021	oil inlet screw	M16x1.5x12	1
14,02	GB/T5801-1994	G08030	bearing	φ 45x φ 35x20	1
14,021	GB/T9877.1-1988	G05018	gasket	φ 45xφ35x7	1
14,022	XZJ.01-01	201106009	swing arm	ZG40Cr1	1
14,023	XZJ.01-05	201106010	gearbox	QT450-10	1
14,024	GB/T899-1988	G01112	double-end bolt	M10x22	5
14,025	XZJ.01-11	201106011	gasket seal		1
14,026	GB/T67-1985	G01092	screw	M6x10	1

# Explozie piese de schimb

## BTA-GC360 Sistem de cosire



14,027	XZJ.01-14	201106012	flat key	45#	1
14,028	XZJ.01-03	201106013	wheel support	ZG40Cr1	1
14,029	XZJ.01-04	201106014	wheel	QSn7-0.2	1
14,03	XZJ.01-02	201106015	baffle of support	45#	1
14,031	GB/T276-1994	G08027	bearing	φ 47x φ 20x14	1
14,032	XZJ.01-15	201106016	nut	45#	1
14,033	XZJ.01-07	201106017	sealing gasket		1
14,034	GB/T70-1985	G01028	bolt	M8x20	4
15	GB/T5780-1987	G01004	Bolt	M8x25	2
16	XZJ-08	201106018	lever	A3	1
17	XZJ.01-08	201106019	screw	40Cr	1
18	XZJ.01-09	201106020	gasket	A3	1
19	XZJ.01-16	201106021	nut	45#	1
20	XZJ-02	201106022	silder	40Cr	1
21	XZJ-01	201106023	support	ZG40Cr1	1
22	XZJ.03	201106024	cutter		1
23	GB/T1337-1988	G04004	blade assy	M10	5
24	XZJ.03-06	201106025	blade cover	PP	1
25	XZJ-04	201106026	small shield	A3	1
				TOTAL :	