







**Manual de utilizare**  
**Ръководство за експлоатация и**  
**Поддръжка**  
**Használati és karbantartási kézikönyv**  
**User manual**



-  Lamă zăpadă, pg. 3
-  Зимно острие, pg.6
-  Hótoló, pg 8
-  Snow Pusher, pg. 10




**BTA - DB360**



**Italia Star Com Due S.R.L.**

Autostrada Bucuresti-Pitesti, km. 13/2, Loc. Chiajna, IF

 004/021.433.03.27

[info@italiastar.ro](mailto:info@italiastar.ro)

[www.italiastar.ro](http://www.italiastar.ro)



Product Service

# Attestation of Conformity

No. M8A 18 03 72518 026

**Holder of Certificate:** Changzhou Simade Power Equipment Manufacturing Co., Ltd.

No. 76 Yulong Road, Xuejia Town  
213125 Changzhou, Jiangsu  
PEOPLE'S REPUBLIC OF CHINA

**Product:** Agriculture and Gardening Equipment  
Multipurpose garden tool

**Model(s):** MF360+GC360, MF360L+GC360, MF360+ST360,  
MF360L+ST360, MF360+SW360, MF360L+SW360,  
MF360+DB360, MF360L+DB360

**Parameters:**

Rated power	4.0kW/3600/min
Displacement	196cm <sup>3</sup>

**Tested according to:** EN 12733:2001/A1:2009  
EN ISO 12100:2010  
ISO 8437:1989/A1:1997

This Attestation of Conformity is issued on a voluntary basis according to Council Directive 2006/42/EC relating to machinery. It confirms that the listed equipment (not Annex IV equipment) complies with the principal protection requirements of the directive. It refers only to the sample submitted to TÜV SÜD Product Service GmbH for testing and certification. See also notes overleaf.

**Test report no.:** 4840312039301



**Date,** 2018-03-16

  
( Qifeng Gu )

**CE** After preparation of the necessary technical documentation as well as the EC declaration of conformity the required CE marking can be affixed on the product. Other relevant directives have to be observed.

Page 1 of 1

# ACCESORII OPTIONALE



**Italia Star Com Due S.R.L.**

 004/021.433.03.27

 [info@italiastar.ro](mailto:info@italiastar.ro)

 [www.italiastar.ro](http://www.italiastar.ro)

# INSTRUCIUNI DE INSTALARE

## B T A - DB360 (Lamă zăpadă)

- 1、 Consultați imaginea de mai jos pentru a instala ansamblul de conectare.

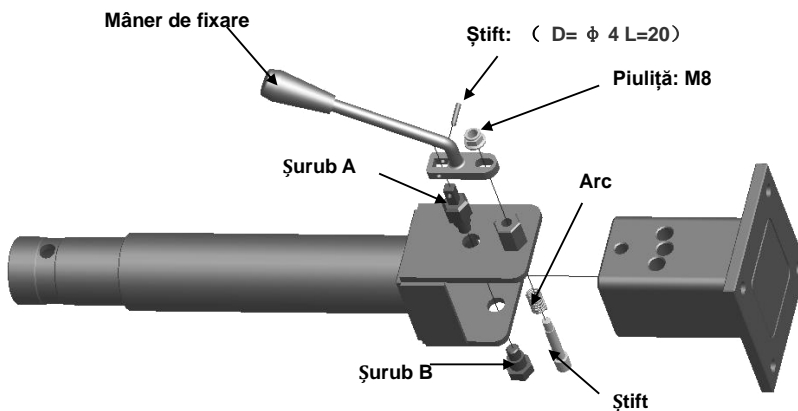


Figura 1

- 2、 Consultați imaginea de mai jos pentru a instala lama de zăpadă.

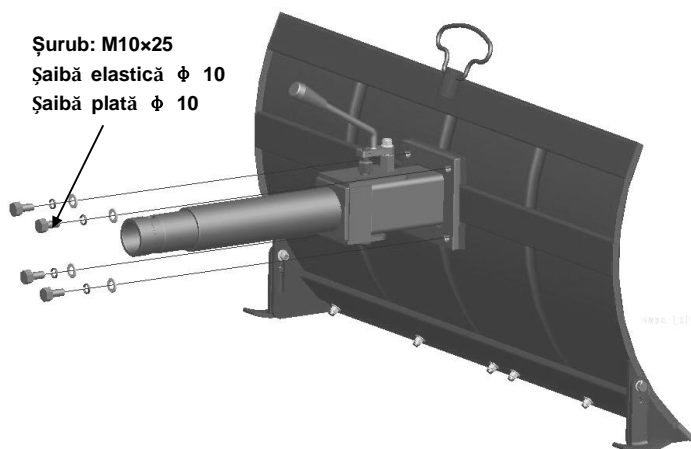


Figura 2

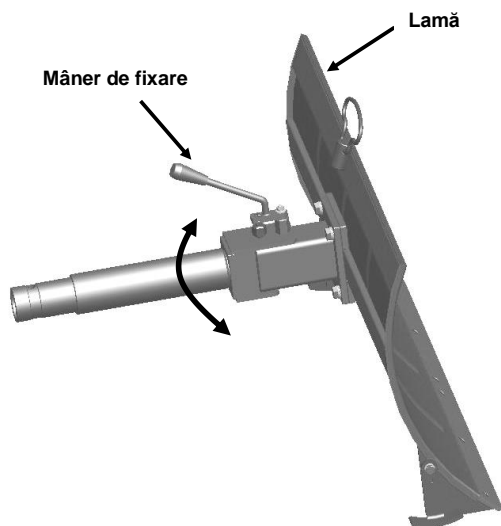
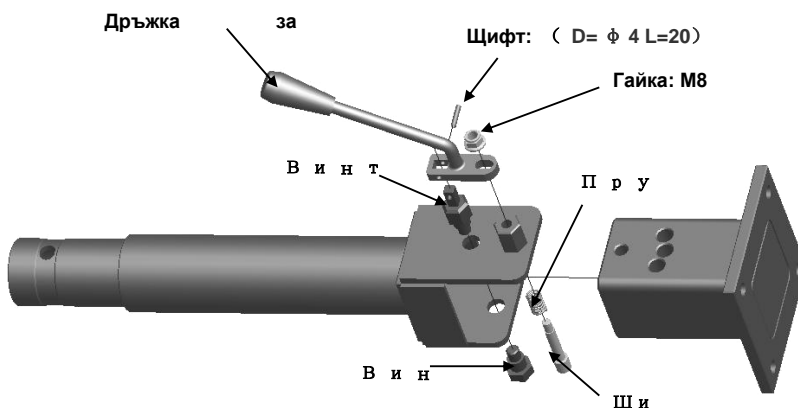


Figura 3

## DB 360 (Зимно острие)

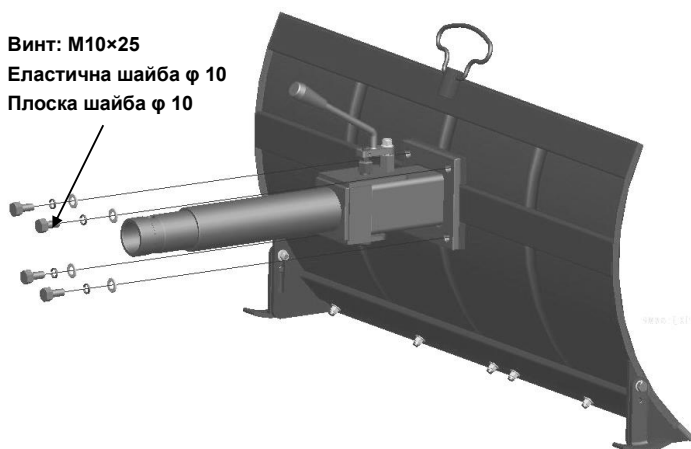
### УКАЗАНИЯ ЗА ИНСТАЛИРАНЕ

1. Виджте изображението по-долу, за да инсталирате свързващия модул.

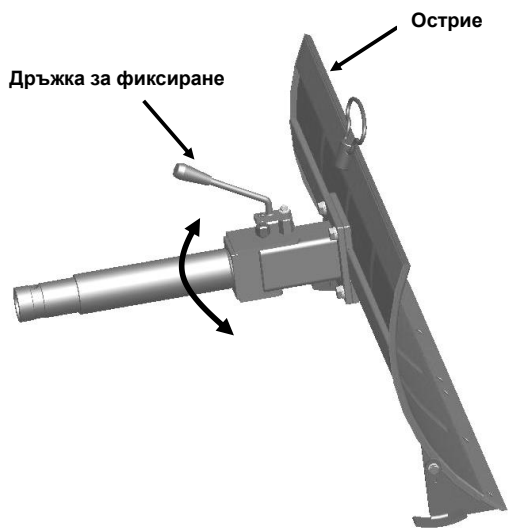


Ф и г у

2. Виджте изображението по-долу, за да инсталирате ножа за сняг.



Фигура 2

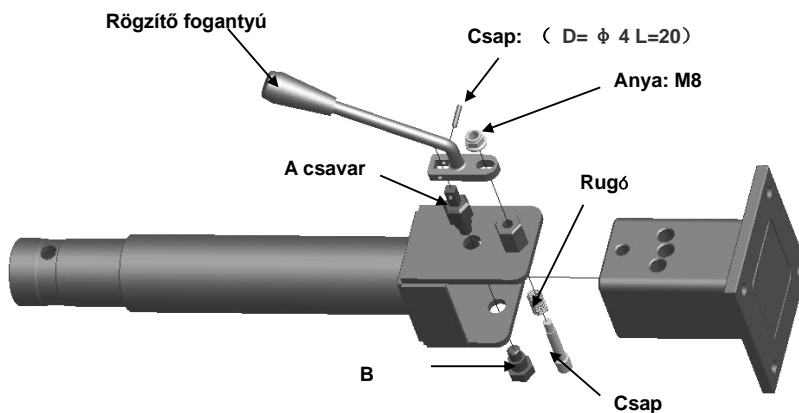


Фигура 3

## DB 360 (Hótoló)

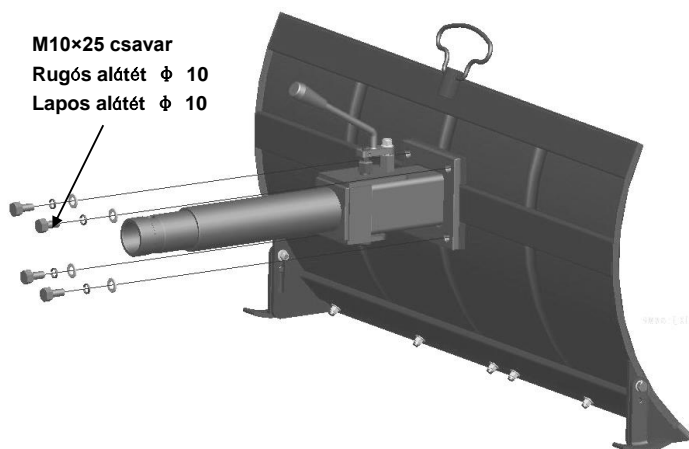
### TELEPÍTÉSI UTASÍTÁSOK

1、 Tekintse meg az alábbi ábrát a csatlakozószerezvény telepítéséhez.



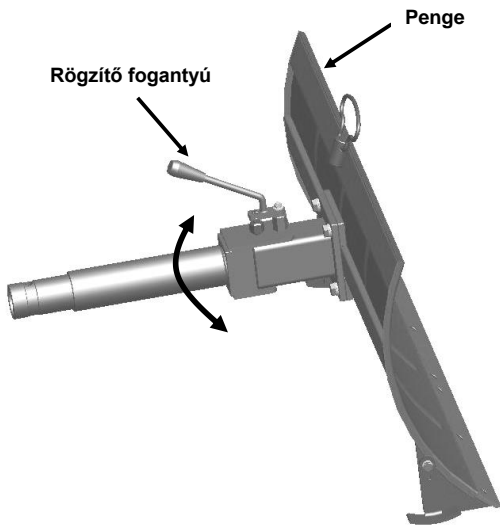
1. ábra

2、 Tekintse meg az alábbi ábrát a hótoló telepítéséhez.



2. ábra





3. ábra

# OPTIONAL ACCESSORIES



**Italia Star Com Due S.R.L.**

 004/021.433.03.27

 [info@italiastar.ro](mailto:info@italiastar.ro)

 [www.italiastar.ro](http://www.italiastar.ro)

# INSTALLATION INSTRUCTION BTA-DB360 (Snow Pusher)

- 1、 refer to below picture to install the output connector.

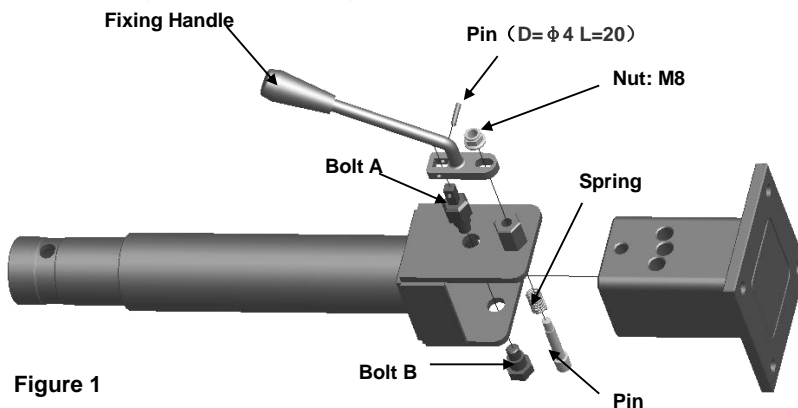


Figure 1

- 2、 refer to below picture to install the Snow Pusher.

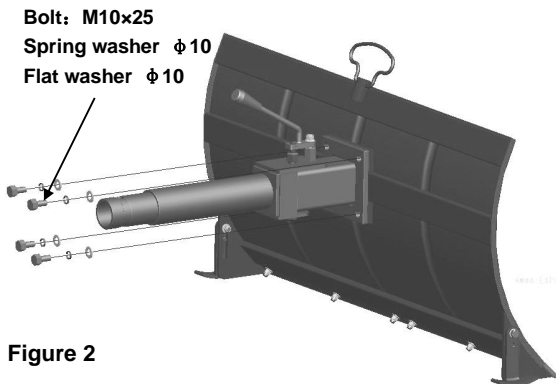


Figure 2

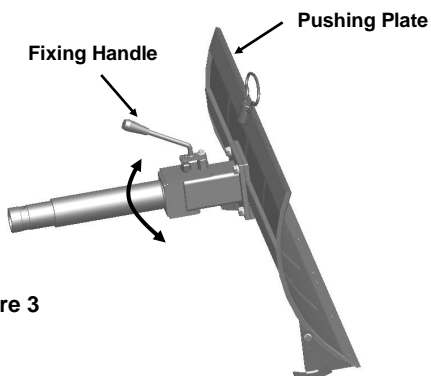


Figure 3




[www.bisonte-romania.ro](http://www.bisonte-romania.ro)



**Italia Star Com Due S.R.L.**

Autostrada Bucuresti-Pitesti, km. 13/2, Loc. Chiajna, IF

 004/021.433.03.27

[info@italiastar.ro](mailto:info@italiastar.ro)

[www.italiastar.ro](http://www.italiastar.ro)