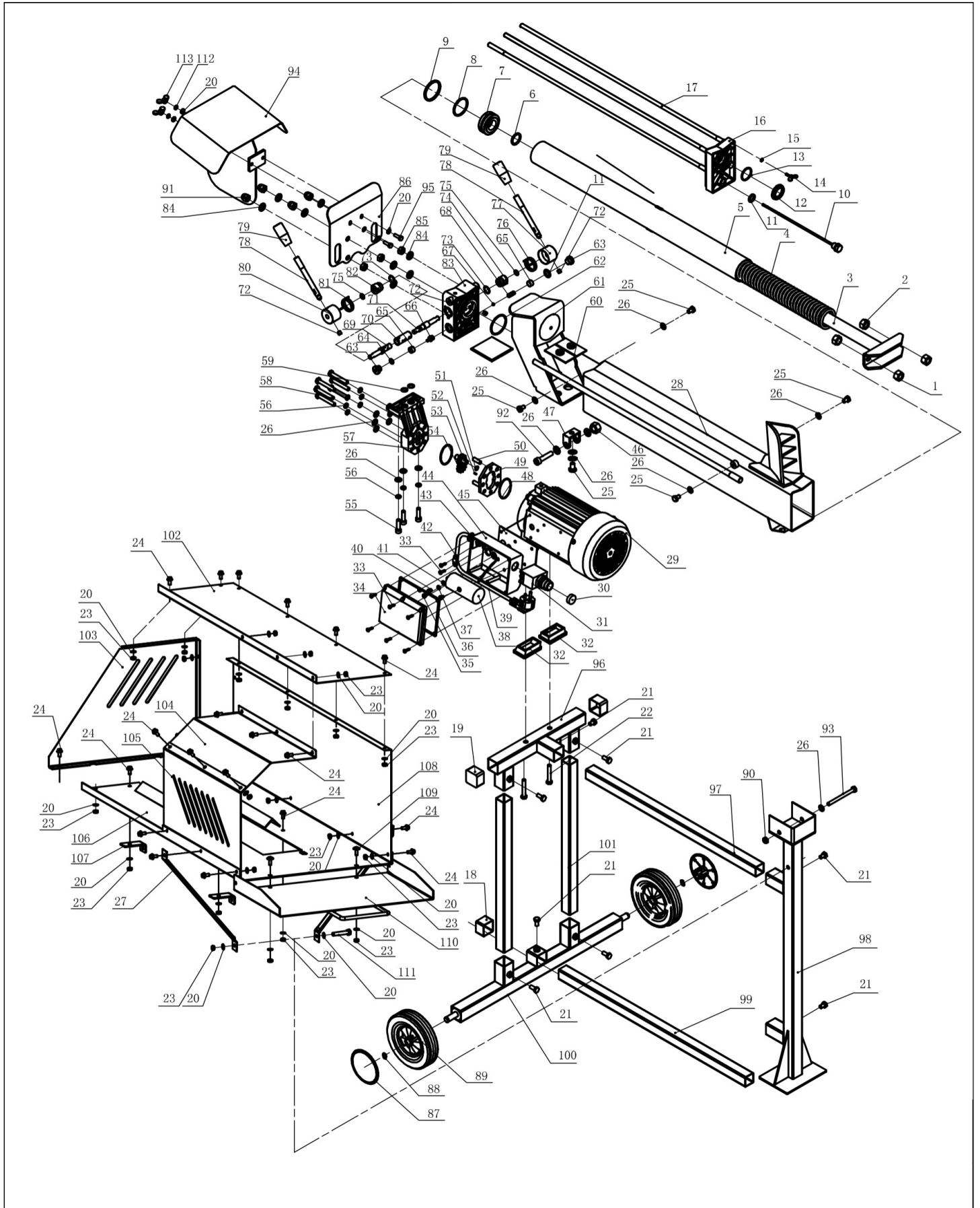


# EXPLOZIE PIESE DE SCHIMB

## Despicator lemne orizontal BTA-DO6T



Pos.	Name	Quantity
1	LOCK NUT M14	2
2	NUT M14	2
3	HAMMER RAM	1
4	SPRING	1
5	CYLINDER	1
6	O-RING OIL SEAL 25X3.55	1
7	PISTON	1
8	O-RING OIL SEAL 43.7X3.55	1
9	GLYD RING 55	1
10	DIP STICK	1
11	SEAL RING 14	2
12	DH DUSTPROOF SEAL DH30	1
13	O-RING OIL SEAL 30X2.65	1
14	BLEED SCREW	1
15	O-RING OIL SEAL 7X1.9	1
16	CYLINDER COVER	1
17	STUD LEVER M10	4
18	SQUARE TUBE COVER B	1
19	SQUARE TUBE COVER A	2
20	WASHER 6	34
21	M8X16 BOLT	8
22	M8X50 BOLT	2
23	LOCK NUT M6	30
24	BOLT M6X12	27
25	<b>BOLT M8X12</b>	<b>5</b>
26	WASHER 8	18
27	BRACKET	2
28	CYLINDER BODY	1
29	ELECTRIC MOTOR	1
30	SWITCH DUSTPROOF COVER	1
31	SWITCH	1
32	RUBBER SLEEVE FOR MOTOR	2
33	SCREW ST4X16	8
34	SWITCH BOX COVER	1
35	SCREW M5x6	1
36	WATERPROOF SEAL	1
37	SPRING WASHER 5	1
38	CAPACITOR	1
39	ELECTRIC CABLE	1
40	SCREW M5X10	3
41	WASER 5	4
42	FIXED PLATE OF CABLE	1
43	ANTI -OFF ASSEMBLY	1
44	SWITCH BOX	1
45	WATERPROOF SEAL	1

46	NUT M8	1
47	U-SHAPE HOLDER	1
48	O-RING OIL SEAL 50X2.4	2
49	GEAR CHAMBER	1
50	FIXING PIN	2
51	GASKET FOR AXLE 11	2
52	COLUMN PIN 2.5	1
53	GEAR AXLE	1
54	GEAR	2
55	NUT M8x30	3
56	SPRING WASHER 8	9
57	PUMP COVER	1
58	BOLT M8x55	6
59	O-RING OIL SEAL10.6X2.65	2
60	PLASTIC SLIDE	2
61	LOG PISHER	1
62	O-RING OIL SEAL 55x3.1	1
63	OUTER PLUG	2
64	<b>O-RING OIL SEAL 10x1.8</b>	<b>1</b>
65	INNER PLUG	2
66	VALVE FIXER	1
67	STEEL BALL φ6	1
68	ADJUSTING SPRING	1
69	VALVE CORE (RIGHT)	1
70	VALVE COVER	1
71	VALVE COVER (LEFT)	1
72	FIXING SCREW M8x8	3
73	O-RING OIL SEAL 20x2.4	2
74	SCREW PLUG (LEFT)	1
75	O-RING OIL SEAL 14x2.4	2
76	HANDLE HOLDER SPRING (LEFT)	1
77	HANDLE HOLDER(LEFT)	1
78	HANDLE BAR	2
79	HANDLE BAR CAP	2
80	HANDLE BAR FIXER(RIGHT)	1
81	FIXER SPRING (RIGHT)	1
82	SCREW PLUG (RIGHT)	1
83	VALVE	1
84	WASHER 10	8
85	NUT M10	4
86	HANDLE PROTECTION PLATE	1
87	WHEEL COVER	2
88	SPRING GASKET 13	1
89	WHEEL	2
90	<b>NUT M8</b>	<b>1</b>
91	<b>CAP NUT M10</b>	<b>4</b>

92	BOLT M8X40	1
93	BOLT M8X100	1
94	HANDLE PROTECTION COVER	1
95	BOLT M6X20	2
96	MOTOR SUPPORT	1
97	SQUARE TUBE (SHORT)	1
98	STANDING FRAME	1
99	SQUARE TUBE (LONG)	1
100	WHEEL STAND	1
101	SQUARE TUBE (VERTICAL)	2
102	COVER PLATE	1
103	SIDE PLATE	1
104	CONNECTING PLATE	1
105	FRONT PLATE	1
106	SUPPORTING PLATE	1
107	CONNECTING PAD	4
108	REAR PLATE	1
109	SCREW M6X16	2
110	LOG SUPPORT TABLE	1
111	BOLT M6X50	1
112	SPRING WASHER 6	2
113	wing nut M6	2